

# TOSHIBA

Leading Innovation >>>

## TCS-NET GSM PHONE CONTROL INTERFACE

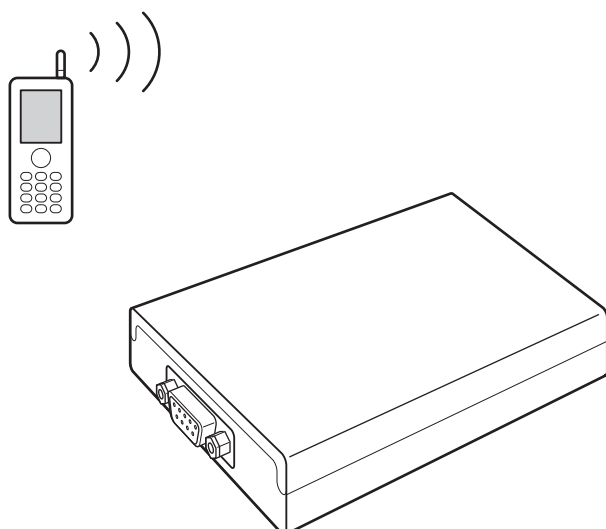
# Owner's Manual

**Model name:**

---

TCS-NET GSM Phone Control Interface

**TCB-IFGSM1E**



Owner's Manual GSM Phone Control Interface	2	English
Manuel du propriétaire GSM Phone Control Interface	12	Français
Betriebsanleitung GSM Phone Control Interface	22	Deutsch
Manual del propietario GSM Phone Control Interface	32	Español
用户手册 GSM Phone Control Interface	42	中文

Thank you very much for purchasing TOSHIBA TCB-IFGSM1E.  
Please read this owner's manual carefully before using your TCB-IFGSM1E.  
After reading this manual, keep it available to all users for future reference.

## Contents

---

<b>1</b>	<b>Precautions for safety</b>	<b>3</b>
<b>2</b>	<b>Features</b>	<b>4</b>
<b>3</b>	<b>Before use</b>	<b>5</b>
<b>4</b>	<b>Initial settings</b>	<b>6</b>
<b>5</b>	<b>Usual operation</b>	<b>8</b>
<b>6</b>	<b>Troubleshooting</b>	<b>10</b>
<b>7</b>	<b>Specification</b>	<b>11</b>

# 1 Precautions for safety

## DANGER

- 
- DO NOT ATTEMPT TO INSTALL THIS SYSTEM BY YOURSELF. THIS SYSTEM REQUIRES A QUALIFIED INSTALLER.
  - DO NOT ATTEMPT TO REPAIR THE TCB-IFGSM1E. THE UNIT SHOULD BE PROFESSIONALLY REPAIRED.
  - OPENING OR REMOVING THE COVER OF THE TCB-IFGSM1E WILL EXPOSE YOU TO DANGEROUS VOLTAGES.
  - TURNING OFF THE POWER SUPPLY WILL NOT PREVENT POTENTIAL ELECTRIC SHOCK.
- 

## WARNING

### **WARNINGS ABOUT INSTALLATION**

- Be sure to ask a dealer or a store specialized in electrical work to install this system.
- If this system is improperly installed, it may cause some problems such as electric shock and fire.

### **WARNINGS ABOUT OPERATION**

- Do not spill water or other liquid on the TCB-IFGSM1E. If the unit is wet, it may cause electric shock.
- Do not replace, damage or alter the installed AC adapter. This may cause fire, electric shock or breakdown.
- Check the AC adapter for dust. If it is not plugged properly, insert the plug firmly as far as it will go. Improper connection may cause electric shock or fire due to accumulated dust.
- When the TCB-IFGSM1E is not used for a long time period, unplug the AC adapter for safety. The AC adapter may be covered with dust, which may result in overheat or fire.
- Remove dust from the AC adapter occasionally. Failure to do so may result in fire.
- Unplug the AC adapter if there is a burnt odor or any other abnormality. Using the TCB-IFGSM1E continuously with an abnormality may cause fire, electric shock or breakdown. Contact the installer.
- Do not use TCB-IFGSM1E for any purposes other than for the air conditioners specified in this manual.

### **WARNINGS ABOUT MOVEMENT AND REPAIR**

- Do not attempt to move or repair the TCB-IFGSM1E unit.
  - Do not disassemble the unit.
  - Always ask the dealer to move the unit for reinstalling it in another place. Improper installation may cause electric shock or fire.
  - Whenever the system does not work, ask the dealer for repair or check. If the system is repaired or modified improperly, it may cause electric shock or fire.
-

## 2 Features

The following remote control is enabled by sending a short message service (SMS) from your GSM (global system for mobile communications) mobile phone.

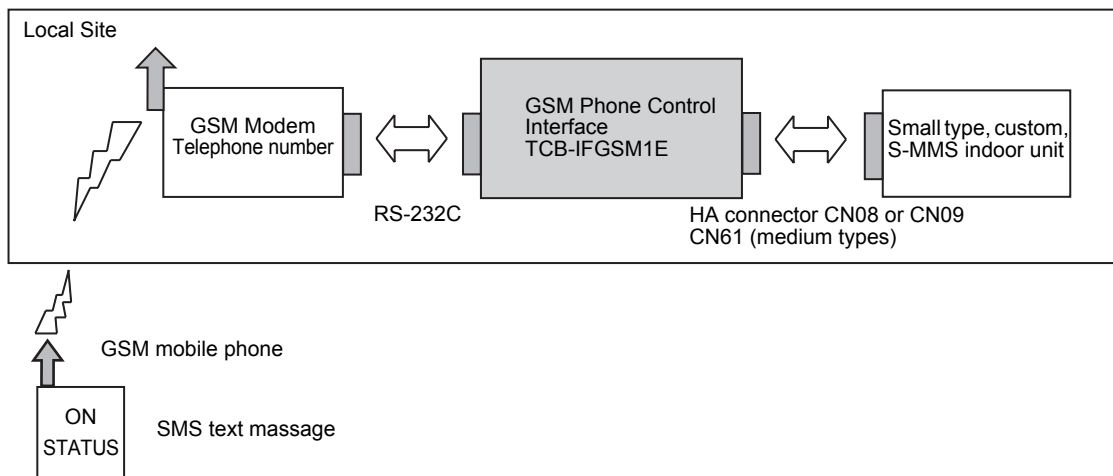
- Air conditioner ON/OFF control
- Air conditioner ON/OFF status monitoring
- Auto-sending of an SMS notification message in the event of an air conditioner alarm and alarm monitoring (S-MMS and DI, SDI models only)

This system is equipped with the following security function.

- The air conditioner receives commands only from the registered GSM phone number and sends air conditioner information SMS messages only to the registered GSM phone number.

Messages consisting of alphanumeric characters and symbols are sent and received by SMS message.

The overall system configuration is shown below.



### 3 Before use

- To use this GSM remote monitoring system, you must subscribe to the GSM mobile phone equipped with the SMS message function for operation and to the GSM telephone service of GSM modem. The cost for communication with the GSM modem will be charged separately. Write down the subscribed GSM modem telephone number, PIN, and PUK number as follows and keep it at hand.

GSM modem telephone number:
PIN:
PUK number:

#### WARNING

Keep these numbers in secret. If the GSM modem telephone number and/or PIN are known to the third party, he/she may maliciously operate the air conditioner with impersonation.

- The following air conditioner models are available in this system.

DAISEIKAI		RAS-B**GKVP-E
		RAS-B**GKCV-E
		RAS-B10SKVP-E
		RAS-B13SKVP-E
		RAS-B16SKVP-E
		RAS-10SKVP-ND
		RAS-13SKVP-ND
		RAS-16SKVP-ND
		RAS-10SKVR-E
		RAS-13SKVR-E
		RAS-16SKVR-E
		RAS-18SKVR-E
		RAS-22SKVR-E
		RAS-**SKV-E
		RAS-**PKVP-E
		RAS-**PKVP-ND
	RAS-M**PKVP-E	
	RAS-M**PKVP-ND	
Inverter	High wall	RAS-**GKV-E2
Inverter Multi	High wall	RAS-M**GKV-E2
		RAS-M**GKCV-E2
	Duct	RAS-M**GDV-E
		RAS-M**GDCV-E
S-MMS, S-HRM, Mini-SMMS, DI, SDI		

- Ask the dealer or the installer about whether the GSM modem, GSM Phone Control Interface TCB-IFGSM1E, and the target air conditioner are supplied with power and their connections and initial settings are completed.
- Be familiar with how to create, send, and receive an SMS message using your GSM mobile phone in advance.

# 4 Initial settings

- Make the following settings on your GSM mobile phone.
- In the following example, you do not need to enter the < and > symbols. You just enter the value enclosed in < and >.
- The phone number specified at SETPERMIT is the phone number to control an air conditioner which is connected to the GSM Modem. Enter the telephone number as <GSM phone number> or <"+ + "Country code" + "GSM phone number" (omit the first zero of the GSM phone number, if it starts from zero)> for domestic transmission, or <"International access code" + "Country code" + "GSM phone number" (omit the first zero of the GSM phone number, if it starts from zero)> for international transmission. For the details, ask your mobile network operator.
- It replies to the SETPERMIT, INFOTEL commands and the operations to the air conditioner from mobile by sending SMS messages to the phone number specified at INFOTEL. Enter the telephone number as <GSM phone number> or <"+ + "Country code" + "GSM phone number" (omit the first zero of the GSM phone number, if it starts from zero)>. "+ + Country code may not be necessary for local transmission. For the details, ask your mobile network operator.
- NAME can be up to 19 characters of English alphabets and Arabic numerals (spaces cannot be included).

## NOTE

Maximum length of SMS is 160 characters. Pay attention on it when you set SETPERMIT, INFOTEL or NAME at first time.

When your message becomes more than 160 characters long, divide it into plural SMS to send.

- (a) Create an SMS message for setting the setting permitted GSM phone number of the target air conditioner.

```
SETPERMIT < >
```

Enter the GSM phone number in < > as a string of numbers. Space character can be included.

Up to five GSM phone numbers can be entered by inserting a new line at the end of the message above.

```
SETPERMIT < >
SETPERMIT < >
SETPERMIT < >
```

When a PIN is provided, be sure to enter it in <\*\*\*> before <GSM phone number>. PIN is a 4-digit to 8-digit code. Space character can be included. Be sure to enter PIN for all GSM phone numbers.

```
SETPERMIT < *** > < >
SETPERMIT < *** > < >
SETPERMIT < *** > < >
```

- (b) Create an SMS message for setting the destination GSM phone number for notification. Create the following INFOTEL message that includes the mobile phone number to control the air conditioner following (a).

```
SETPERMIT < >
SETPERMIT < >
INFOTEL < >
```

Enter the GSM phone number in INFOTEL < > as a string of numbers. Space character can be included.

Up to five GSM phone numbers can be entered by inserting a new line at the end of the message above.

```
INFOTEL < >
INFOTEL < >
INFOTEL < >
INFOTEL < >
```

When a PIN is provided, be sure to enter it in <\*\*\*> before <GSM phone number>. PIN is a 4-digit to 8-digit code. Space character can be included. Be sure to enter PIN for all GSM phone numbers.

```
INFOTEL <***>< >
INFOTEL <***>< >
INFOTEL <***>< >
```

- (c) Enter the name of the specified air conditioner in < > following (b). Use alphanumeric characters for the name. This setting is necessary to identify air conditioners when two or more GSM remote monitoring systems. Make this setting even when one system is used.

```
NAME < >
```

When a PIN is provided, be sure to enter it in <\*\*\*> before <name>. PIN is a 4-digit to 8-digit code. Space character can be included.

```
NAME <***>< >
```

- (d) After you have created these SMS message, send them to the GSM modem telephone number used in this system.

After a while, the following SMS message is sent to the GSM phone number that was set in the SMS message for setting the destination GSM phone number.

- Response SMS message to indicate successful initial settings  
Name of specified air conditioner:  
INITIAL SET OK
- Response SMS message to indicate unsuccessful initial settings  
Name of specified air conditioner:  
INITIAL SET NG

When an SMS message that includes "INITIAL SET OK" is received, the initial settings are completed.

**REQUIREMENT**

If an SMS message that includes "INITIAL SET NG" is received, an invalid message that includes unspecified characters was sent. Check the sent messages, and try to send messages until "OK" response SMS message is received. When a PIN is provided, check whether the correct PIN code was entered.

If no response SMS message is received, the transmit SMS message may not have arrived at the GSM modem telephone number or the destination GSM phone number setting may be incorrect or there may be a problem with the local site including the GSM modem. Refer to Chapter 6 Troubleshooting.

Nevertheless, if an SMS message including "INITIAL SET OK" is not received yet, contact the installer.



# 5 Usual operation

- (a) To operate the air conditioner, send the following SMS message to the GSM modem telephone number used in this system.

ON

- (b) To stop the air conditioner, send the following SMS message to the GSM modem telephone number used in this system.

OFF

After the (a) or (b) SMS message is sent, the following SMS message is returned.

- When this SMS message was sent before initial settings  
INITIAL UNCOMPLETED
- When the characters in the sent SMS message are different from those above  
Name of specified air conditioner:  
CHARACTER SETTING ERROR
- When the SMS message was received successfully  
Name of specified air conditioner:  
SETTING OK
- When the SMS message was not received due to a problem of the local site  
Name of specified air conditioner:  
SETTING NG

- (c) To monitor the air conditioner ON/OFF status, send the following SMS message to the GSM modem telephone number used in this system.

STATUS

The following SMS message is returned.

- When there is no alarm  
(During operation)  
Name of specified air conditioner:  
STATUS ON  
(During operation stop)  
Name of specified air conditioner:  
STATUS OFF
- When there is an alarm (S-MMS/DI/SDI)  
Name of specified air conditioner:  
STATUS ON ALARM  
Name of specified air conditioner:  
STATUS OFF ALARM

- (d) When an alarm has occurred in S-MMS or DI or SDI, the following SMS message is sent.

Name of specified air conditioner: ALARM

- (e) Deleting registered GSM phone number

To delete the registered setting permitted GSM phone number, send the following message to the GSM modem telephone number used in this system.

Any operations from the GSM phone number deleted here is invalid.

DEL SETPERMIT<++++>

**++++: GSM phone number to be deleted**

To delete the registered destination GSM phone number, send the following SMS message to the GSM modem telephone number used in this system.

DEL INFOTEL <++++>

**++++: GSM phone number to be deleted**

- When the GSM phone number is deleted correctly, the following SMS message is returned.  
Name of specified air conditioner:  
INITIAL SET OK



- If incorrect characters are used or specified GSM phone number does not exist, the following SMS message is returned.  
Name of specified air conditioner:  
INITIAL SET NG  
Send a correct SMS message.

(f) Requesting registered GSM phone numbers  
To request the registered setting permitted GSM phone numbers, send the following SMS message to the GSM modem telephone number used in this system.

```
READ INFOTEL
```

The following SMS message is returned from the GSM modem.

Name of specified air conditioner: READ INFOTEL  
+++++,\*\*\*\*\*,<<<<<<<<<>>>>>>>>>,+++++  
+++++  
("+++++,"\*\*\*\*\*,"<<<<<<<<<,">>>>>>>>," and "+++++," are registered destination GSM phone numbers separated by commas and sent from the local site.)

If no GSM phone number is registered, the following SMS message is returned.  
Name of specified air conditioner: READ INFOTEL NONE

To request the registered destination GSM phone numbers, send the following SMS message to the GSM modem telephone number used in this system.

```
READ SETPERMIT
```

The following SMS message is returned from the GSM modem.

Name of specified air conditioner: READ SETPERMIT  
+++++,\*\*\*\*\*,<<<<<<<<>>>>>>>>>,+++++  
+++++  
("+++++,"\*\*\*\*\*,"<<<<<<<<,">>>>>>>>," and "+++++," are registered setting permitted GSM phone numbers separated by commas and sent from the local site.)

(g) Deleting a PIN number

When a registered PIN number is no longer required because the registered contents of the SIM card have been changed, send the following SMS message to the GSM modem telephone number used in this system.  
\*\*\* is the PIN to be deleted.

```
DEL PIN <***>
```



# 6 Troubleshooting

## WARNING

- Unplug the AC adapter if there is a burnt odor or any other abnormality. Using the TCB-IFGSM1E continuously with an abnormality may cause fire, electric shock or breakdown. Contact the dealer or installer.

Refer to the following for sending and receiving SMS messages.

- When an SMS message including "INITIAL SET NG" (after the initial setting SMS message is sent) or "CHARACTER SETTING ERROR" (during usual operation) is received, a message with unspecified characters was sent. Check the message content again and try to send a message until "OK" response SMS message is received.

<For example>

- When INFOTEL, SETPERMIT, NAME, ON, OFF, DEL or READ are misspelled or typed in lower case letters.
- When the registered NAME exceeds 19 characters, or contains any spaces or characters other than English alphabets and arabic numerals.
- When the registered GSM phone number contains any characters other than "+" and arabic numerals.
- When no response SMS message is returned, check the destination GSM modem telephone number, the set destination GSM phone number, and the set setting permitted GSM phone number of the sent SMS message.

<For example>

Followings are the examples of causes when the GSM phone number is "XXXXXXXXXX".

Number registering patterns:

Pattern1: XXXXXXXXXXXX

Pattern2: "+" + "Country code" + "XXXXXXXXXX", or

Pattern3: "International access code" + "Country code" + "XXXXXXXXXX".

(In Pattern2 and 3, omit the first zero of the GSM phone number, if it starts from zero).

- Cause1) When the registered PIN and the sent number do not match.  
When the registered PIN is "1111" and the sent number is "1112<XXXXXXXXXX>", TCB-IFGSM1E will not reply to the GSM phone.
- Cause2) When TCB-IFGSM1E is in Australia and SMS is sent from a GSM phone within Australia, if the SETPERMIT number is not registered as Pattern1: XXXXXXXXXXXX or Pattern2: +61XXXXXXXXXX (61 is the Australian country code), TCB-IFGSM1E will not reply to the GSM phone.
- Cause3) When SMS is sent from a GSM phone within New Zealand, if the SETPERMIT number is not registered as Pattern3: 0064XXXXXXXXXX ("00" is the international access code of New Zealand and "64" is the country code of New Zealand), TCB-IFGSM1E will not reply to the GSM phone.
- Cause4) The registered GSM phone numbers set by INFOTEL are neither Pattern1 nor 2.

If the problem still remains, the following possible causes are considered. Contact the dealer or installer.

- When no SMS message is returned in response to the initial setting SMS message or status SMS message, the transmit SMS message may not have arrived at the GSM modem telephone number or there may be a problem with the local site including power interruption.
- When an SMS message including "SETTING NG" is received, a problem has occurred in the local site.

# 7 Specification

Media used		Global System for Mobile Communications (2G digital mobile phone communication system)
Operation	Air conditioner control items	Air conditioner ON/OFF control is designated by mobile phone SMS message.
	Air conditioner status acquisition items	Air conditioner ON, OFF, and alarm status is notified by mobile phone SMS message. (Auto-notification is provided only when CN61 is used.)
	Operation/notification target GSM phone number	Up to 5 numbers can be registered initially.
	Accessible GSM phone number	Up to 5 numbers can be registered initially.
TCB-IFGSM1E hardware	Power supply	7-19 VDC No external power supply is required when S-MMS, DI or SDI is used.
	Power consumption	1.1 W at 19V input
	RS-232C connector	Supports communication specifications (9600bps, non-parity, 8 bits, 1 stop bit, flow control provided/none) D-sub 9-pin male connector Protocol: Supports ETSI GSM 07.05, GSM 07.07, GSM 03.40, GSM 03.38 standard compliant SMS-related AT commands.
	CN3/CN4 connector (connection to air conditioner)	Photocoupler HA connector specification, 12 VDC power input, alarm input 4-pin/6-pin connector
	Operating temperature/humidity	0 to 40°C, 20 to 85% RH
	Storage temperature	-10 to 60°C
	Chassis material	Plastic (nonflammable ABS resin UL-94V0)
	Dimensions	32 (H) × 80 (W) × 125 (D) mm
	Mass	150 g

Nous vous remercions d'avoir choisi l'unité TOSHIBA TCB-IFGSM1E.  
Veuillez lire ce mode d'emploi avant d'utiliser votre TCB-IFGSM1E.  
Veuillez conserver ce manuel et le mettre à la disposition de tous les utilisateurs pour référence future.

## Table des matières

---

<b>1</b>	<b>Consignes de sécurité</b>	<b>13</b>
<b>2</b>	<b>Caractéristiques</b>	<b>14</b>
<b>3</b>	<b>Avant utilisation</b>	<b>15</b>
<b>4</b>	<b>Réglages initiaux</b>	<b>16</b>
<b>5</b>	<b>Utilisation normale</b>	<b>18</b>
<b>6</b>	<b>Guide de dépannage</b>	<b>20</b>
<b>7</b>	<b>Caractéristiques techniques</b>	<b>21</b>

# 1 Consignes de sécurité

## DANGER

- 
- NE TENTEZ PAS D'INSTALLER CE SYSTÈME VOUS-MÊME. CE SYSTÈME DOIT ÊTRE INSTALLÉ PAR UN INSTALLATEUR AGRÉÉ.
  - N'EFFECTUEZ AUCUNE RÉPARATION SUR LE SYSTÈME TCB-IFGSM1E. LE SYSTÈME DOIT ÊTRE RÉPARÉ PAR UN PROFESSIONNEL.
  - L'OUVERTURE OU LE RETRAIT DU COUVERCLE DU SYSTÈME TCB-IFGSM1E IMPLIQUE UNE EXPOSITION À DE HAUTES TENSIONS.
  - LE DÉBRANCHEMENT DE L'ALIMENTATION NE PRÉVIENT PAS LES RISQUES DE CHOC ÉLECTRIQUE.
- 

## AVERTISSEMENT

### AVERTISSEMENTS CONCERNANT L'INSTALLATION

- Veillez à demander au distributeur ou à un électricien d'installer ce système.
- S'il est mal installé, ce système représente des risques tels que choc électrique ou incendie.

### AVERTISSEMENTS CONCERNANT L'UTILISATION

- Veillez à ne pas renverser d'eau ou autre liquide sur le système TCB-IFGSM1E. Si le système est mouillé, il présente un risque de choc électrique.
- Ne pas remplacer, endommager ni altérer l'adaptateur secteur installé. Ceci peut provoquer un incendie, un choc électrique ou une défaillance générale.
- Vérifiez l'absence de poussière dans l'adaptateur secteur. S'il n'est pas correctement branché, insérez fermement la prise le plus loin possible. Un mauvais branchement peut entraîner un choc électrique ou un incendie dû à l'accumulation de poussière.
- Lorsque le système TCB-IFGSM1E n'est pas utilisé pendant une période prolongée, débranchez l'adaptateur secteur pour plus de sécurité. L'adaptateur secteur peut être recouvert de poussière et entraîner une surchauffe ou un incendie.
- Essuyez régulièrement la poussière sur l'adaptateur secteur. Tout manquement à cette recommandation peut entraîner un incendie.
- Débranchez l'adaptateur secteur si vous observez une odeur de brûlé ou autre anomalie. L'utilisation du système TCB-IFGSM1E en présence d'une anomalie peut provoquer un incendie, un choc électrique ou une défaillance générale. Contactez l'installateur.
- N'utilisez pas le système TCB-IFGSM1E à des fins autres que pour les climatiseurs mentionnés dans le présent manuel.

### AVERTISSEMENT CONCERNANT LE DÉPLACEMENT ET LES RÉPARATIONS

- Ne tentez pas de déplacer ou de réparer l'unité TCB-IFGSM1E vous-même.
  - Ne désassemblez pas l'unité.
  - Veillez à toujours demander au distributeur de déplacer l'unité si vous souhaitez l'installer dans un autre endroit. Une mauvaise installation peut provoquer un choc électrique ou un incendie.
  - En cas de dysfonctionnement du système, demandez au distributeur de le réparer ou de le contrôler. Un système mal réparé ou modifié peut entraîner un choc électrique ou un incendie.
-

## 2 Caractéristiques

Les commandes à distance suivantes sont activées par l'envoi d'un message court (SMS) à partir de votre téléphone portable GSM (global system for mobile communications).

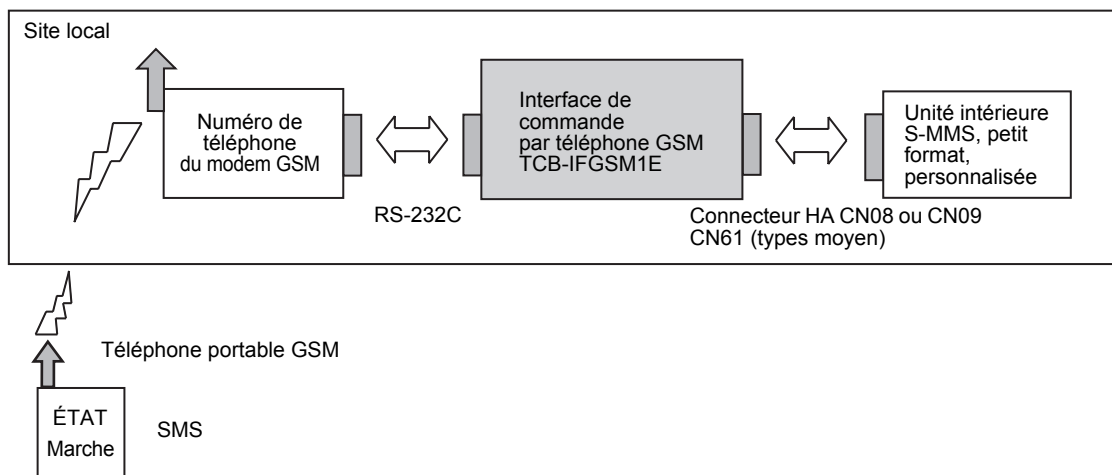
- Commande Marche/Arrêt du climatiseur
- Contrôle de l'état Marche/Arrêt du climatiseur
- Envoi automatique d'un SMS en cas d'alarme du climatiseur et contrôle de l'alarme (modèles S-MMS et DI, SDI uniquement)

Ce système est équipé de la fonction de sécurité suivante.

- Le climatiseur reçoit des commandes de la part du numéro de téléphone GSM enregistré exclusivement et envoie des SMS d'informations sur le climatiseur au numéro de téléphone GSM enregistré exclusivement.

Les messages comportant des caractères alphanumériques et des symboles sont envoyés et reçus par SMS.

La configuration générale du système est illustrée ci-dessous.



# 3 Avant utilisation

- Pour utiliser ce système de contrôle à distance GSM, vous devez disposer d'un téléphone portable GSM équipé de la fonction SMS et être abonné au service téléphonique GSM du modem GSM. La communication avec le modem GSM fait l'objet d'une facturation séparée. Notez le numéro de téléphone de votre modem GSM ainsi que les codes PIN et PUK comme suit, et gardez-les à portée de main.

Numéro de téléphone du modem GSM :
PIN :
Code PUK :

## AVERTISSEMENT

Ne divulguez jamais ces informations. Si vous divulguez le numéro de téléphone du modem GSM et/ou le code PIN à un tiers, il est susceptible d'usurper votre identité et d'utiliser le climatiseur.

- Les modèles de climatiseur suivants sont disponibles dans ce système.

DAISEIKAI		RAS-B**GKVP-E
		RAS-B**GKCV-E
		RAS-B10SKVP-E
		RAS-B13SKVP-E
		RAS-B16SKVP-E
		RAS-10SKVP-ND
		RAS-13SKVP-ND
		RAS-16SKVP-ND
		RAS-10SKVR-E
		RAS-13SKVR-E
		RAS-16SKVR-E
		RAS-18SKVR-E
		RAS-22SKVR-E
		RAS-**SKV-E
		RAS-**PKVP-E
		RAS-**PKVP-ND
	RAS-M**PKVP-E	
	RAS-M**PKVP-ND	
Cycle inversé	Mural haut	RAS-**GKV-E2
Cycle inversé Multi	Mural haut	RAS-M**GKV-E2
		RAS-M**GKCV-E2
	Gaine	RAS-M**GDV-E
		RAS-M**GDCV-E
S-MMS, S-HRM, Mini-SMMS, DI, SDI		

- Demandez au distributeur ou à l'installateur si le modem GSM, l'interface de commande par téléphone GSM TCB-IFGSM1E et le climatiseur concerné sont fournis avec les câbles et les raccordements, et si les réglages initiaux sont effectués.
- Veillez à prendre connaissance des conditions de création, d'envoi et de réception de SMS avant d'utiliser votre téléphone portable GSM.

# 4 Réglages initiaux

- Procédez aux réglages suivants sur votre téléphone portable GSM.
- Dans l'exemple suivant, il est inutile d'entrer les symboles < et >. Il suffit d'entrer la valeur indiquée entre les symboles < et >.
- Le numéro de téléphone indiqué dans SETPERMIT est le numéro de téléphone qui permet de contrôler un climatiseur relié au modem GSM. Entrez le numéro de téléphone au format <Numéro de téléphone GSM> ou <« + » + « Indicatif pays » + « Numéro de téléphone GSM » (omettez le premier zéro du numéro de téléphone GSM s'il commence par un zéro)> pour les appels locaux, ou <« Indicatif international » + « Indicatif pays » + « Numéro de téléphone GSM » (omettez le premier zéro du numéro de téléphone GSM s'il commence par un zéro)> pour les appels internationaux. Adressez-vous à votre opérateur de téléphonie mobile pour plus d'informations.
- Il répond aux commandes SETPERMIT, INFOTEL et aux opérations du climatiseur à partir du téléphone portable via l'envoi de SMS au numéro de téléphone indiqué dans INFOTEL. Composez le numéro de téléphone au format <Numéro de téléphone GSM> ou <« + » + « Indicatif pays » + « Numéro de téléphone GSM » (omettez le premier zéro du numéro de téléphone GSM s'il commence par un zéro)>. Il peut être inutile de composer le « + » + Indicatif pays pour les appels nationaux. Adressez-vous à votre opérateur de téléphonie mobile pour plus d'informations.
- NAME peut se composer d'un maximum de 19 caractères alphabétiques européens et chiffres arabes (les espaces ne sont pas autorisés).

## REMARQUE

La longueur maximale d'un SMS est de 160 caractères. Faites attention en paramétrant SETPERMIT, INFOTEL ou NAME la première fois.

Lorsque votre message excède les 160 caractères autorisés, divisez-le en plusieurs SMS à envoyer.

- (a) Créez un SMS pour paramétrer le numéro de téléphone GSM autorisé et le climatiseur concerné.

```
SETPERMIT < >
```

Entrez le numéro de téléphone GSM entre < et > sous la forme d'une chaîne de numéros. Un espace peut être inclus.

Jusqu'à cinq numéros de téléphone GSM peuvent être entrés en insérant une nouvelle ligne à la fin du message précédent.

```
SETPERMIT < >
SETPERMIT < >
SETPERMIT < >
```

Lorsqu'un code PIN est fourni, veillez à l'entrer dans <\*\*\*> avant le <numéro de téléphone GSM>. Le code PIN est un code composé de 4 à 8 chiffres. Un espace peut être inclus. Veillez à entrer un code PIN pour l'ensemble des numéros de téléphone GSM.

```
SETPERMIT < *** > < >
SETPERMIT < *** > < >
SETPERMIT < *** > < >
```



- (b) Créez un SMS pour régler le numéro de téléphone GSM de destination qui recevra la notification. Créez le message INFOTEL suivant qui inclut le numéro de téléphone permettant de contrôler le climatiseur après le message (a).

```
SETPERMIT < >
SETPERMIT < >
INFOTEL < >
```

Entrez le numéro de téléphone GSM dans INFOTEL < > sous la forme d'une chaîne de numéros. Un espace peut être inclus. Jusqu'à cinq numéros de téléphone GSM peuvent être entrés en insérant une nouvelle ligne à la fin du message précédent.

```
INFOTEL < >
INFOTEL < >
INFOTEL < >
INFOTEL < >
```

Lorsqu'un code PIN est fourni, veillez à l'entrer dans <\*\*\*> avant le <numéro de téléphone GSM>. Le code PIN est un code composé de 4 à 8 chiffres. Un espace peut être inclus. Veillez à entrer un code PIN pour l'ensemble des numéros de téléphone GSM.

```
INFOTEL <***>< >
INFOTEL <***>< >
INFOTEL <***>< >
```

- (c) Entrez le nom du climatiseur spécifié dans < > après le message (b). Le nom doit se composer de caractères alphanumériques. Ce réglage est nécessaire pour identifier les climatiseurs en cas d'utilisation de deux systèmes de contrôle à distance GSM ou plus. Effectuez ce réglage même en cas d'utilisation d'un seul système.

```
NAME < >
```

Lorsqu'un code PIN est fourni, veillez à l'entrer dans <\*\*\*> avant le <nom>. Le code PIN est un code composé de 4 à 8 chiffres. Un espace peut être inclus.

```
NAME <***>< >
```

- (d) Une fois que vous avez créé ces SMS, envoyez-les au numéro de téléphone du modem GSM utilisés dans ce système.

Après un instant, le SMS suivant est envoyé au numéro de téléphone GSM paramétré dans le SMS de réglage du numéro de téléphone GSM de destination.

- SMS de réponse pour indiquer que les réglages initiaux sont effectifs  
Nom du climatiseur spécifié :  
INITIAL SET OK
- SMS de réponse pour indiquer que les réglages initiaux ne sont pas effectifs  
Nom du climatiseur spécifié :  
INITIAL SET NG

Si vous recevez un SMS incluant « INITIAL SET OK », les réglages initiaux sont terminés.

#### CONDITIONS

Si vous recevez un SMS incluant « INITIAL SET NG », un message non valide incluant des caractères non autorisés a été envoyé. Vérifiez les messages envoyés et essayez d'envoyer les messages jusqu'à ce qu'un SMS de réponse indiquant « OK » soit reçu. Lorsqu'un code PIN est fourni, vérifiez que le code PIN entré est exact.

Si vous ne recevez pas de SMS de réponse, il est possible que le SMS émis n'ait pas été reçu par le numéro de téléphone GSM du modem GSM ou que le réglage du numéro de téléphone de destination soit erroné ou qu'il y ait un problème avec le site local, y compris avec le modem GSM. Reportez-vous au Chapitre 6 Dépannage.

Si vous ne recevez toujours pas de SMS incluant « INITIAL SET OK », contactez l'installateur.

# 5 Utilisation normale

- (a) Pour utiliser le climatiseur, envoyez le SMS suivant au numéro de téléphone du modem GSM utilisé dans ce système.

ON

- (b) Pour arrêter le climatiseur, envoyez le SMS suivant au numéro de téléphone du modem GSM utilisé dans ce système.

OFF

Après l'envoi du SMS (a) ou (b), le SMS suivant est renvoyé.

- Si ce SMS a été envoyé avant les réglages initiaux  
INITIAL UNCOMPLETED
- Si les caractères du SMS envoyé diffèrent des caractères ci-dessus  
Nom du climatiseur spécifié :  
CHARACTER SETTING ERROR
- Si le SMS a bien été reçu  
Nom du climatiseur spécifié :  
SETTING OK
- Si le SMS n'a pas été reçu à cause d'un problème au niveau du site local  
Nom du climatiseur spécifié :  
SETTING NG

- (c) Pour contrôler l'état de Marche/Arrêt du climatiseur, envoyez le SMS suivant au numéro de téléphone du modem GSM utilisé dans ce système.

STATUS

Le SMS suivant est renvoyé.

- S'il n'y a pas d'alarme (en cours de fonctionnement)  
Nom du climatiseur spécifié :  
STATUS ON  
(A l'arrêt)  
Nom du climatiseur spécifié :  
STATUS OFF
- S'il y a une alarme (S-MMS/DI/SDI)  
Nom du climatiseur spécifié :  
STATUS ON ALARM  
Nom du climatiseur spécifié :  
STATUS OFF ALARM

- (d) Si une alarme s'est produite dans S-MMS ou DI ou SDI, le SMS suivant est envoyé.

Nom du climatiseur spécifié : ALARM

- (e) Suppression du numéro de téléphone GSM enregistré

Pour supprimer le numéro de téléphone GSM enregistré, envoyez le message suivant au numéro de téléphone du modem GSM utilisé dans ce système.

Toutes les opérations émises par le numéro de téléphone GSM supprimé ne sont pas valides.

DEL SETPERMIT<++++>

**++++ : Numéro de téléphone GSM à supprimer**

Pour supprimer le numéro de téléphone GSM de destination enregistré, envoyez le SMS suivant au numéro de téléphone du modem SMS utilisé dans ce système.

DEL INFOTEL <++++>

**++++ : Numéro de téléphone GSM à supprimer**

- Lorsque ce numéro de téléphone GSM est correctement supprimé, le SMS suivant est renvoyé.  
Nom du climatiseur spécifié :  
INITIAL SET OK



# 6 Guide de dépannage

## AVERTISSEMENT

- Débranchez l'adaptateur secteur si vous observez une odeur de brûlé ou autre anomalie. L'utilisation du système TCB-IFGSM1E en présence d'une anomalie peut provoquer un incendie, un choc électrique ou une défaillance générale. Contactez le distributeur ou l'installateur.

Reportez-vous à la section suivante pour envoyer et recevoir des SMS.

- Lorsque vous recevez un SMS incluant « INITIAL SET NG » (après envoi du SMS de réglage initial) ou « CHARACTER SETTING ERROR » (en fonctionnement normal), un message contenant des caractères non autorisés a été envoyé. Vérifiez le contenu du message et essayez d'envoyer le message jusqu'à ce qu'un SMS de réponse indiquant « OK » soit reçu.

<Par exemple>

- Lorsque INFOTEL, SETPERMIT, NAME, ON, OFF, DEL ou READ sont mal orthographiés ou saisis en lettres minuscules.
- Lorsque le nom (NAME) enregistré excède 19 caractères ou contient des espaces ou des caractères autres que des caractères alphabétiques européens ou des chiffres arabes.
- Lorsque le numéro de téléphone GSM enregistré contient un caractère autre que le « + » et des chiffres arabes.
- Si aucun SMS de réponse n'est renvoyé, vérifiez le numéro de téléphone GSM du modem GSM de destination, le numéro de téléphone GSM de destination paramétré et le numéro de téléphone enregistré du SMS envoyé.

<Par exemple>

Il est possible que téléphone GSM soit au format « XXXXXXXXXXX », notamment dans les cas suivants :

Modèle du numéro :

Modèle1 : XXXXXXXXXXX

Modèle2 : « + » + « Indicatif pays » + « XXXXXXXXXXX », ou

Modèle3 : « Indicatif international » + « Indicatif pays » + « XXXXXXXXXXX ».

(Pour le Modèle2 et le Modèle3, omettez le premier zéro du numéro de téléphone GSM s'il commence par un zéro).

- Cause1) Lorsque le code PIN enregistré et le numéro envoyé ne coïncident pas.  
Lorsque le code PIN enregistré est « 1111 » et que le numéro envoyé est « 1112<XXXXXXXXXX> », TCB-IFGSM1E ne répondra pas au téléphone GSM.
- Cause2) Lorsque le TCB-IFGSM1E est en Australie et que le SMS est envoyé depuis un téléphone GSM en Australie, si le numéro SETPERMIT n'est pas enregistré selon le Modèle1 : XXXXXXXXXXX ou le Modèle2 : +61XXXXXXXX (61 est l'indicatif de l'Australie), TCB-IFGSM1E ne répondra pas au téléphone GSM.
- Cause3) Lorsque le SMS est envoyé depuis un téléphone GSM en Nouvelle-Zélande, si le numéro SETPERMIT n'est pas enregistré selon le Modèle3 : 0064XXXXXXXX (« 00 » est l'indicatif international de la Nouvelle-Zélande et « 64 » est l'indicatif de la Nouvelle-Zélande), TCB-IFGSM1E ne répondra pas au téléphone GSM.
- Cause4) Les numéros de téléphone GSM enregistrés définis par INFOTEL ne suivent ni le Modèle1, ni le Modèle2.

Si le problème persiste, les causes suivantes sont envisageables. Contactez le distributeur ou l'installateur.

- Si aucun SMS n'est renvoyé en réponse au SMS de réglage initial ou au SMS d'état, il est possible que le message SMS de transmission ne soit pas parvenu au numéro de téléphone du modem GSM ou qu'il y ait un problème au niveau du site local, y compris une coupure de courant.
- Si vous recevez un SMS incluant « SETTING NG », un problème s'est produit au niveau du site local.

# 7 Caractéristiques techniques

Support utilisé		GSM (Global System for Mobile Communications) (système de communication par téléphonie mobile numérique 2G)
Fonctionnement	Eléments de commande du climatiseur	La commande Marche/Arrêt du climatiseur est désignée par un SMS du téléphone portable.
	Eléments d'acquisition de l'état du climatiseur	La mise en marche, l'arrêt et l'alarme du climatiseur est désignée par un SMS du téléphone portable. (La notification automatique n'est disponible qu'avec le système CN61.)
	Numéro de téléphone GSM cible de fonctionnement/ notification	Vous pouvez enregistrer jusqu'à 5 numéros.
	Numéro de téléphone GSM accessible	Vous pouvez enregistrer jusqu'à 5 numéros.
Matériel TCB-IFGSM1E	Alimentation	7-19 V CC Aucune alimentation électrique externe n'est nécessaire en cas d'utilisation du système S-MMS, DI ou SDI.
	Puissance consommée	1.1 W à raison d'une entrée de courant de 19 V
	Connecteur RS-232C	Compatible avec les spécifications de communication (9600 bps, non paritaire, 8 bits, 1 bit d'arrêt, commande de débit fournie/aucune) Connecteur mâle à 9 broches D-sub Protocole : Conforme aux normes ETSI GSM 07.05, GSM 07.07, GSM 03.40, GSM 03.38 relatives aux commandes AT par SMS.
	Connecteur CN3/CN4 (raccordement au climatiseur)	Spécification du connecteur de l'optoisolateur HA, entrée de courant 12 V CC, entrée d'alarme Connecteur à 4 broches/6 broches
	Température/humidité de fonctionnement	0 à 40 °C, 20 à 85 % d'HR
	Température de stockage	-10 à 60 °C
	Matériau du châssis	Plastique (résine ABS UL-94V0 non inflammable)
	Dimensions	32 (L) × 80 (l) × 125 (D) mm
	Volume	150 g

Vielen Dank, dass Sie sich für TOSHIBA TCB-IFGSM1E entschieden haben.  
Bitte lesen Sie dieses Benutzerhandbuch sorgfältig durch, bevor Sie Ihr TCB-IFGSM1E verwenden.  
Nachdem Sie dieses Handbuch gelesen haben, bewahren Sie es als Referenz für alle Benutzer griffbereit auf.

## Inhalt

---

<b>1</b>	<b>Sicherheitsvorkehrungen</b> .....	<b>23</b>
<b>2</b>	<b>Merkmale</b> .....	<b>24</b>
<b>3</b>	<b>Vor der Verwendung</b> .....	<b>25</b>
<b>4</b>	<b>Grundeinstellungen</b> .....	<b>26</b>
<b>5</b>	<b>Normaler Betrieb</b> .....	<b>28</b>
<b>6</b>	<b>Fehlersuche</b> .....	<b>30</b>
<b>7</b>	<b>Technische Daten</b> .....	<b>31</b>

# 1 Sicherheitsvorkehrungen

## GEFAHR

- INSTALLIEREN SIE DIESES SYSTEM NICHT SELBER. DIESES SYSTEM MUSS VON EINEM QUALIFIZIERTEN TECHNIKER INSTALLIERT WERDEN.
- REPARIEREN SIE DAS TCB-IFGSM1E NICHT SELBER. DAS GERÄT SOLLTE NUR VON EINEM ERFAHRENEN TECHNIKER REPARIERT WERDEN.
- DURCH DAS ÖFFNEN ODER ENTFERNEN DER ABDECKUNG DES TCB-IFGSM1E SETZEN SIE SICH GEFÄHRLICHEN ELEKTRISCHEN SPANNUNGEN AUS.
- DURCH AUSSCHALTEN DES GERÄTS KANN EIN MÖGLICHER ELEKTRISCHER SCHOCK NICHT VERHINDERT WERDEN.

## WARNUNG

### WARNUNGEN ZUR INSTALLATION

- Wenden Sie sich zu Installation des Systems an einen Händler oder an einen Elektriker.
- Wenn dieses System nicht korrekt installiert wird, kann dies zu Problemen, beispielsweise einem elektrischen Schlag oder einem Brand, führen.

### WARNUNGEN ZUM BETRIEB

- Bringen Sie das TCB-IFGSM1E nicht mit Wasser oder anderen Flüssigkeiten in Berührung. Feuchtigkeit am Gerät kann zu einem elektrischen Schlag führen.
- Der installierte Wechselstromadapter darf nicht ausgetauscht, beschädigt oder verändert werden. Dies kann zu einem Brand, einem elektrischen Schlag oder einem Systemversagen führen.
- Untersuchen Sie den Wechselstromadapter auf Staub. Wenn er nicht korrekt angeschlossen ist, stecken Sie den Stecker so weit wie möglich ein. Fehlerhafte Verbindungen können durch Eindringen von Staub zu einem elektrischen Schlag oder Brand führen.
- Wenn das TCB-IFGSM1E für einen längeren Zeitraum nicht verwendet wird, ziehen Sie den Wechselstromadapter aus Sicherheitsgründen aus der Steckdose. Wenn der Wechselstromadapter mit Staub bedeckt ist, dann dies zu einer Überhitzung oder einem Brand führen.
- Befreien Sie den Wechselstromadapter regelmäßig von Staub. Beachten Sie dies nicht, kann ein Brand die Folge sein.
- Ziehen Sie den Wechselstromadapter aus der Steckdose, falls es zu einem Brand oder anderen ungewöhnlichen Situation kommt. Wenn Sie das TCB-IFGSM1E bei ungewöhnlichen Situationen weiter verwenden, kann dies zu einem Brand, einem elektrischen Schlag oder einem Systemversagen führen. Wenden Sie sich an den Techniker.
- Verwenden Sie das TCB-IFGSM1E ausschließlich als Klimaanlage, wie in diesem Handbuch beschrieben.

### WARNUNGEN ZUM UMSTELLEN UND ZUR REPARATUR

- Sie sollten das TCB-IFGSM1E weder umstellen noch reparieren.
- Demontieren Sie das Gerät nicht.
- Wenden Sie sich an Ihren Händler, wenn Sie das Gerät zur Neuinstallation an einen anderen Ort bringen möchten. Eine nicht fachgerechte Installation kann einen elektrischen Schlag oder einen Brand zur Folge haben.
- Wenn das System nicht funktioniert, wenden Sie sich zur Überprüfung und Reparatur an Ihren Händler. Wenn das System nicht fachgerecht repariert oder verändert wird, kann dies zu einem elektrischen Schlag oder Brand führen.

## 2 Merkmale

Die folgende Fernbedienung wird aktiviert, indem Sie von Ihrem GSM-Handy (Global System for mobile communications) eine SMS schicken.

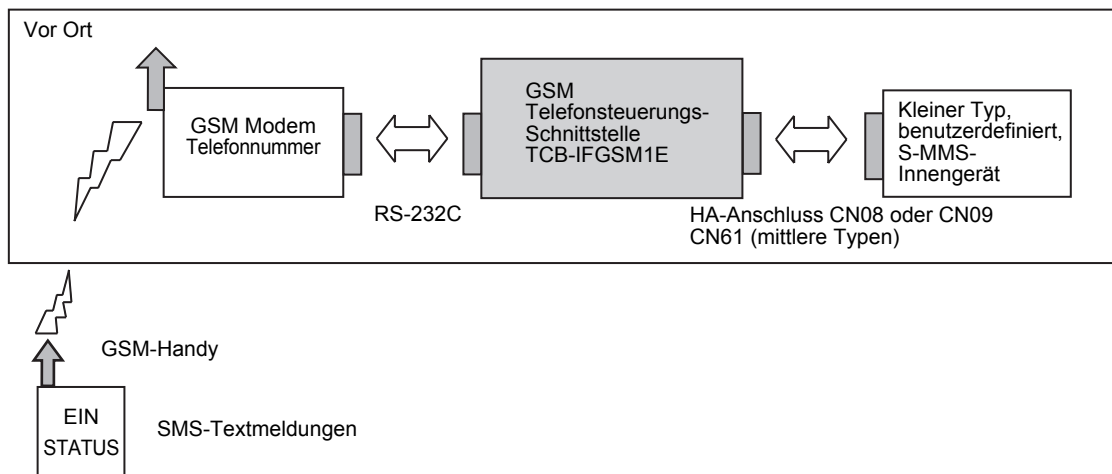
- Klimaanlage EIN/AUS
- Statusüberprüfung Klimaanlage EIN/AUS
- Automatisches Versenden einer SMS-Benachrichtigung im Fall eines Klimaanlagealarms und einer Alarmüberwachung (nur Modelle S-MMS, DI und SDI)

**Das System verfügt über die folgende Sicherheitsfunktion:**

- Die Klimaanlage empfängt nur Befehle von der eingetragenen GSM-Telefonnummer und sendet SMS-Nachrichten mit Klimaanlageinformationen nur an die eingetragene GSM-Telefonnummer.

**Meldungen aus alphanumerischen Zeichen werden über SMS-Nachrichten gesendet und empfangen.**

Nachstehend wird die allgemeine Systemkonfiguration angezeigt.





# 3 Vor der Verwendung

- Um dieses GSM-Fernüberwachungssystem zu verwenden, müssen Sie das GSM-Handy mit SMS-Funktion in Betrieb nehmen und sich beim GSM-Telefondienst des GSM-Modems anmelden. Die Kosten für die Verbindung mit dem GSM-Modem werden separat berechnet. Notieren Sie sich die folgende angegebene GSM-Modemtelefonnummer, die PIN und die PUK und halten Sie sie bereit.

GSM-Modemtelefonnummer:
PIN:
PUK:

## WARNUNG

Halten Sie diese Nummern geheim. Wenn die GSM-Modemtelefonnummer und/oder die PIN Dritten bekannt sind, können diese die Klimaanlage ohne Ihr Wissen in Betrieb nehmen und steuern.

- Die folgenden Klimaanlage-Modelle sind in diesem System verfügbar.

DAISEIKAI		RAS-B**GKVP-E
		RAS-B**GKCV-E
		RAS-B10SKVP-E
		RAS-B13SKVP-E
		RAS-B16SKVP-E
		RAS-10SKVP-ND
		RAS-13SKVP-ND
		RAS-16SKVP-ND
		RAS-10SKVR-E
		RAS-13SKVR-E
		RAS-16SKVR-E
		RAS-18SKVR-E
		RAS-22SKVR-E
		RAS-**SKV-E
		RAS-**PKVP-E
		RAS-**PKVP-ND
	RAS-M**PKVP-E	
	RAS-M**PKVP-ND	
Inverter	Wand	RAS-**GKV-E2
Inverter Multi	Wand	RAS-M**GKV-E2
		RAS-M**GKCV-E2
	Kanal	RAS-M**GDV-E
		RAS-M**GDCV-E
S-MMS, S-HRM, Mini-SMMS, DI, SDI		

- Wenden Sie sich an den Techniker, um zu überprüfen, ob das GSM-Modem, die GSM-Telefonsteuerungsschnittstelle TCB-IFGSM1E und die Zielklimaanlage mit Strom versorgt werden und die Anschlüsse und Grundeinstellungen korrekt vorgenommen wurden.
- Machen Sie sich mit dem Erstellen, Senden und Empfangen von SMS-Nachrichten mit Ihrem GSM-Handy im Voraus vertraut.

# 4 Grundeinstellungen

- Nehmen Sie für Ihr GSM-Handy die folgenden Einstellungen vor.
- Im folgenden Beispiel müssen Sie die Symbole < und > nicht eingeben. Geben Sie nur die Werte innerhalb von < und > ein.
- Die unter SETPERMIT angegebene Telefonnummer ist die Telefonnummer, mit der die Klimaanlage gesteuert wird, die mit dem GSM-Modem verbunden ist. Geben Sie die Telefonnummer als <GSM-Telefonnummer> oder <„+“ + „Länderkennung“ + „GSM-Telefonnummer“ (lassen Sie die erste Null der GSM-Telefonnummer weg, wenn sie mit Null beginnt)> für die nationale Übertragung oder <„internationale Vorwahl“ + „Länderkennung“ + „GSM-Telefonnummer“ (lassen Sie die erste Null der GSM-Telefonnummer weg, wenn sie mit einer Null beginnt)> für die internationale Übertragung ein. Nähere Informationen erhalten Sie bei Ihrem Mobilfunkanbieter.
- Das System reagiert auf SETPERMIT, INFOTEL-Befehle und die Inbetriebnahme der Klimaanlage über das Handy durch Senden einer SMS-Nachricht an die Telefonnummer unter INFOTEL. Geben Sie die Telefonnummer als <GSM-Telefonnummer> oder <„+“ + „Ländervorwahl“ + „GSM-Telefonnummer“ (ohne einleitende Null der GSM-Telefonnummer, wenn diese mit Null beginnt)> beginnt. „+“ + Ländervorwahl ist wahrscheinlich für Ortsgespräche nicht notwendig. Nähere Informationen erhalten Sie bei Ihrem Mobilfunkanbieter.
- NAME kann bis zu 19 Zeichen des englischen Alphabets und arabische Ziffern umfassen (keine Eingabe von Leerzeichen).

## HINWEIS

Die maximale Länge von SMS-Nachrichten beträgt 160 Zeichen. Seien Sie vorsichtig, wenn Sie SETPERMIT, INFOTEL oder NAME zum ersten Mal einrichten.

Wenn Ihre Nachricht mehr als 160 Zeichen umfasst, teilen Sie sie vor dem Versenden in mehrere SMS-Nachrichten auf.

- (a) Erstellen Sie eine SMS zum Einstellen der zulässigen GSM-Telefonnummer der Zielklimaanlage.

```
SETPERMIT < >
```

Geben Sie die GSM-Telefonnummer in < > als Zahlenkette ein. Es können Leerzeichen eingefügt werden.

Es können bis zu fünf GSM-Telefonnummern eingegeben werden. Beginnen Sie dazu am Ende der obigen Nachricht jeweils eine neue Zeile.

```
SETPERMIT < >
SETPERMIT < >
SETPERMIT < >
```

Wenn eine PIN eingerichtet wurde, geben Sie sie unter <\*\*\*> vor der <GSM-Telefonnummer> ein. Die PIN besteht aus 4 bis 8 Zeichen. Es können Leerzeichen eingefügt werden. Die PIN muss für alle GSM-Telefonnummern eingegeben werden.

```
SETPERMIT < *** > < >
SETPERMIT < *** > < >
SETPERMIT < *** > < >
```

- (b) Erstellen Sie eine SMS zum Einstellen der Ziel GSM-Telefonnummer zur Benachrichtigung. Erstellen Sie die folgende INFOTEL-Nachricht, die die Handy-Nummer zur Steuerung der auf (a) folgenden Klimaanlage enthält.

```
SETPERMIT < >
SETPERMIT < >
INFOTEL < >
```

Geben Sie die GSM-Telefonnummer in INFOTEL < > als Zahlenkette ein. Es können Leerzeichen eingefügt werden.

Es können bis zu fünf GSM-Telefonnummern eingegeben werden. Beginnen Sie dazu am Ende der obigen Nachricht jeweils eine neue Zeile.

```
INFOTEL < >
INFOTEL < >
INFOTEL < >
INFOTEL < >
```

Wenn eine PIN eingerichtet wurde, geben Sie sie unter <\*\*\*> vor der <GSM-Telefonnummer> ein. Die PIN besteht aus 4 bis 8 Zeichen. Es können Leerzeichen eingefügt werden. Die PIN muss für alle GSM-Telefonnummern eingegeben werden.

```
INFOTEL < *** > < >
INFOTEL < *** > < >
INFOTEL < *** > < >
```

- (c) Geben Sie den Namen der angegebenen Klimaanlage in < > nach (b) ein. Verwenden Sie für den Namen alphanumerische Zeichen. Diese Einstellung ist notwendig, um Klimaanlagen bei zwei oder mehr GSM-Fernüberwachungssystemen zu erkennen. Nehmen Sie diese Einstellung auch vor, wenn nur ein System verwendet wird.

```
NAME < >
```

Wenn eine PIN eingerichtet wurde, geben Sie sie unter <\*\*\*> vor dem <Namen> ein. Die PIN besteht aus 4 bis 8 Zeichen. Es können Leerzeichen eingefügt werden.

```
NAME < *** > < >
```

- (d) Nachdem Sie diese SMS erstellt haben, senden Sie sie an die GSM-Modemtelefonnummer dieses Systems.

Nach einer bestimmten Zeit wird eine SMS an die GSM-Telefonnummer gesendet, die in der SMS für die Einstellung der Ziel GSM-Telefonnummer angegeben wurde.

- Beantworten Sie diese SMS, um die erfolgreiche Einstellung zu bestätigen. Name der angegebenen Klimaanlage: INITIAL SET OK
- Beantworten Sie diese SMS, um die nicht erfolgreiche Einstellung anzuzeigen. Name der angegebenen Klimaanlage: INITIAL SET NG

Wenn eine SMS mit „INITIAL SET OK“ eingeht, ist die Grundeinstellung abgeschlossen.

#### VORAUSSETZUNGEN

Wenn eine SMS mit „INITIAL SET NG“ eingeht, wurde eine ungültige Nachricht mit nicht festgelegten Zeichen versendet. Überprüfen Sie die versendeten Nachrichten und senden Sie die Nachrichten erneut, bis Sie die SMS „OK“ erhalten. Wenn eine PIN eingerichtet wurde, überprüfen Sie, ob die richtige PIN eingegeben wurde.

Wenn Sie keine Antwort-SMS erhalten, ist die übermittelte SMS möglicherweise nicht an der GSM-Modemtelefonnummer angekommen oder die angegebene Zieltelefonnummer ist falsch oder es gibt vor Ort ein Problem, unter anderem mit dem GSM-Modem. Schlagen Sie in Kapitel 6 Problemlösung nach.

Wenn keine SMS mit „INITIAL SET OK“ eingeht, wenden Sie sich jedoch in jedem Fall an den Techniker.

# 5 Normaler Betrieb

- (a) Um die Klimaanlage in Betrieb zu nehmen, senden Sie die folgende SMS an die GSM-Modemtelefonnummer dieses Systems.

ON

- (b) Um die Klimaanlage auszuschalten, senden Sie die folgende SMS an die GSM-Modemtelefonnummer dieses Systems.

OFF

Nachdem Sie die SMS (a) oder (b) versendet haben, erhalten Sie folgende SMS.

- Wenn diese SMS gesendet wurde, bevor die Grundeinstellungen abgeschlossen waren  
INITIAL UNCOMPLETED
  - Wenn sich die Zeichen in der versendeten SMS von denen weiter oben unterscheiden  
Name der angegebenen Klimaanlage:  
CHARACTER SETTING ERROR
  - Wenn die SMS nicht empfangen wurde  
Name der angegebenen Klimaanlage:  
SETTING OK
  - Wenn die SMS aufgrund eines Problems vor Ort nicht empfangen wurde  
Name der angegebenen Klimaanlage:  
SETTING NG
- (c) Um den EIN/AUS-Status der Klimaanlage zu überwachen, senden Sie die folgende SMS an die GSM-Modemtelefonnummer dieses Systems.

STATUS

Die folgende SMS wird zurückgesendet.

- Wenn kein Alarm vorliegt  
(Gerät in Betrieb)  
Name der angegebenen Klimaanlage:  
STATUS ON  
(Gerät außer Betrieb)  
Name der angegebenen Klimaanlage:  
STATUS OFF
- Wenn ein Alarm vorliegt (S-MMS/DI/SDI)  
Name der angegebenen Klimaanlage:  
STATUS ON ALARM  
Name der angegebenen Klimaanlage:  
STATUS OFF ALARM

- (d) Wenn ein Alarm in S-MMS oder DI oder SDI aufgetreten ist, wird die folgende SMS versendet.

Name der angegebenen Klimaanlage: ALARM

- (e) Löschen der eingetragenen GSM-Telefonnummern.

Um die eingetragene, zulässige GSM-Telefonnummer zu löschen, senden Sie die folgende Nachricht an die GSM-Modemtelefonnummer dieses Systems. Alle Vorgänge von der hier gelöschten GSM-Telefonnummer sind ungültig.

DEL SETPERMIT<++++>

**++++: Zu löschende GSM-Telefonnummer**

Um die eingetragene Ziel GSM-Telefonnummer zu löschen, senden Sie die folgende SMS an die GSM-Modemtelefonnummer dieses Systems.

DEL INFOTEL <++++>

**++++: Zu löschende GSM-Telefonnummer**

- Wenn die GSM-Telefonnummer korrekt gelöscht wurde, wird die folgende SMS zurückgesendet.  
Name der angegebenen Klimaanlage:  
INITIAL SET OK



# 6 Fehlersuche

## WARNUNG

- Ziehen Sie den Wechselstromadapter aus der Steckdose, falls es zu einem Brand oder anderen ungewöhnlichen Situation kommt. Wenn Sie das TCB-IFGSM1E bei ungewöhnlichen Situationen weiter verwenden, kann dies zu einem Brand, einem elektrischen Schlag oder einem Systemversagen führen. Wenden Sie sich an den Händler oder den Techniker.

Beachten Sie Folgendes beim Versenden und Empfangen von SMS-Nachrichten.

- Wenn eine SMS-Nachricht mit „INITIAL SET NG“ (nach Versenden der Grundeinstellungs-SMS) oder „CHARACTER SETTING ERROR“ (beim normalen Betrieb) empfangen wird, wurde eine Nachricht mit unzulässigen Zeichen versendet. Überprüfen Sie die Nachricht erneut und versuchen Sie sie zu senden, bis Sie die SMS „OK“ erhalten.

<Beispiel>

- Wenn INFOTEL, SETPERMIT, NAME, ON, OFF, DEL oder READ falsch geschrieben oder mit Kleinbuchstaben geschrieben werden.
- Wenn der eingetragene NAME mehr als 19 Zeichen lang ist oder Leerzeichen bzw. Zeichen enthält, die nicht im englischen Alphabet vorkommen oder keine arabischen Ziffern sind.
- Wenn die eingetragene GSM-Telefonnummer Zeichen enthält, die kein „+“ und keine arabische Ziffer sind.
- Wenn Sie keine Antwort-SMS empfangen, überprüfen Sie die Ziel-GSM-Modemtelefonnummer und die angegebene Ziel-GSM-Telefonnummer sowie die zulässige Telefonnummer der versendeten SMS.

<Beispiel>

Im Folgenden finden Sie Beispiele für Gründe, warum die GSM-Telefonnummer „XXXXXXXXXX“ lautet.

Nummerneintragsmuster:

Muster1: XXXXXXXXXXXX

Muster2: „+“ + „Ländervorwahl“ + „XXXXXXXXXX“ oder

Muster3: „Internationaler Zugangscode“ + „Ländervorwahl“ + „XXXXXXXXXX“.

(In Muster 2 und 3 muss die einleitende Null der GSM-Telefonnummer ausgelassen werden, falls diese mit einer Null beginnt).

- Grund1) Wenn die eingetragene PIN und die gesendete Nummer nicht übereinstimmen. Wenn die eingetragene PIN „111“ und die die gesendete Nummer „1112<XXXXXXXXXX>“ lautet, antwortet TCB-IFGSM1E nicht auf das GSM-Telefon.
- Grund2) Wenn sich TCB-IFGSM1E in Australien befindet und die SMS von einem GSM-Telefon in Australien gesendet wird, wenn die SETPERMIT-Nummer nicht als Muster1: XXXXXXXXXXXX oder Muster2: +61XXXXXXXXXX (61 ist die Ländervorwahl von Australien) eingetragen ist, antwortet TCB-IFGSM1E nicht auf das GSM-Telefon.
- Grund3) Wenn die SMS von einem GSM-Telefon in Neuseeland gesendet wird und die SETPERMIT-Nummer nicht als Muster3: 0064XXXXXXXXXX („00“ ist der internationale Zugangscode für Neuseeland und „64“ ist die Ländervorwahl von Neuseeland) eingetragen ist, TCB-IFGSM1E antwortet nicht auf das GSM-Telefon.
- Grund 4) Die von INFOTEL registrierten GSM-Telefonnummern entsprechen weder Muster1 noch 2.

Wenn das Problem dadurch nicht behoben wird, müssen folgende Ursachen in Betracht gezogen werden. Wenden Sie sich an den Händler oder den Techniker.

- Wenn Sie keine SMS als Antwort auf die Grundeinstellungs-SMS oder die Status-SMS erhalten, ist die Übermittlungs-SMS möglicherweise nicht an der GSM-Modemtelefonnummer angekommen oder es gibt vor Ort ein Problem, möglicherweise einen Stromausfall.
- Wenn Sie eine SMS mit „SETTING NG“ erhalten, liegt ein Problem vor Ort vor.

# 7 Technische Daten

Verwendete Medien		Global System for Mobile Communications (digitales mobiles Kommunikationssystem 2G)
Betrieb	Steuerelemente der Klimaanlage	EIN/AUS-Steuerung der Klimaanlage wird durch SMS per Handy geregelt.
	Elemente zur Statusbestimmung der Klimaanlage	Klimaanlage EIN, AUS und Alarmstatus werden durch SMS per Handy übermittelt. (Automatische Benachrichtigung nur bei CN61.)
	Ziel GSM-Telefonnummer Betrieb/Benachrichtigung	In den Grundeinstellungen können bis zu 5 Nummern eingetragen werden.
	Erreichbare GSM-Telefonnummer	In den Grundeinstellungen können bis zu 5 Nummern eingetragen werden.
TCB-IFGSM1E-Hardware	Stromversorgung	7-19 V Gleichstrom Für S-MMS, DI oder SDI ist keine externe Stromquelle erforderlich.
	Stromverbrauch	1.1 W bei 19 V Eingang
	RS-232C-Stecker	Unterstützt Verbindungsspezifikationen (9600 bps, Non-Parität, 8 Bit, 1 Stoppbit, mit Flusskontrolle/keine) D-sub 9-poliger Male-Stecker. Protokoll: Unterstützt ETSI GSM 07.05, GSM 07.07, GSM 03.40, GSM 03.38 Standard-kompatible SMS-bezogene AT-Befehle.
	CN3/CN4 Stecker (Verbindung zu Klimaanlage)	Spezifikation Optokoppler HA-Stecker, 12 V GS-Eingang, Alarmeingang 4-Pin/6-Pin-Stecker
	Betriebstemperatur/Feuchtigkeit	0 bis 40°C, 20 to 85% RH
	Lagertemperatur	-10 bis 60°C
	Gehäusematerial	Kunststoff (feuerfestes ABS-Harz UL-94V0)
	Abmessungen	32 (H) × 80 (B) × 125 (T) mm
	Gewicht	150 g

Gracias por adquirir la unidad TCB-IFGSM1E de TOSHIBA.  
Lea atentamente este manual de instrucciones antes de utilizar el TCB-IFGSM1E.  
Una vez leído el manual, consérvelo a mano para utilizarlo más adelante.

## Índice

---

<b>1</b>	<b>Precauciones de seguridad</b> .....	<b>33</b>
<b>2</b>	<b>Características</b> .....	<b>34</b>
<b>3</b>	<b>Antes de la utilización</b> .....	<b>35</b>
<b>4</b>	<b>Configuración inicial</b> .....	<b>36</b>
<b>5</b>	<b>Funcionamiento</b> .....	<b>38</b>
<b>6</b>	<b>Resolución de problemas</b> .....	<b>40</b>
<b>7</b>	<b>Especificaciones</b> .....	<b>41</b>



# 1 Precauciones de seguridad

## PELIGRO

- NO INTENTE INSTALAR EL SISTEMA POR SU CUENTA. DEJE LA INSTALACIÓN EN MANOS DE UN INSTALADOR CUALIFICADO.
- NO TRATE DE REPARAR EL TCB-IFGSM1E. SOLO UN PROFESIONAL PUEDE REPARAR LA UNIDAD.
- SI ABRE O RETIRA LA TAPA DEL TCB-IFGSM1E QUEDARÁ EXPUESTO A TENSIONES PELIGROSAS.
- AUNQUE DESCONECTE LA UNIDAD DE LA CORRIENTE, CONTINUARÁ EXISTIENDO EL RIESGO DE DESCARGA ELÉCTRICA.

## ADVERTENCIA

### **ADVERTENCIAS ACERCA DE LA INSTALACIÓN**

- Solicite a su distribuidor o a un establecimiento especializado en instalaciones eléctricas que instale el sistema.
- Si la instalación no se realiza correctamente, podría provocar problemas, como descargas eléctricas o un incendio.

### **ADVERTENCIAS ACERCA DEL FUNCIONAMIENTO**

- No vierta agua ni otros líquidos sobre el TCB-IFGSM1E. Si la unidad se moja, podría provocar descargas eléctricas.
- No cambie ni modifique el adaptador de CA incorporado, ya que podría ocasionar incendios, descargas eléctricas o averías.
- Procure limpiar el polvo del adaptador de CA. Si no está bien enchufado, inserte el enchufe con fuerza en toda su longitud. Una mala conexión podría provocar incendios o descargas eléctricas debido a la acumulación de polvo.
- Si no va a utilizar el TCB-IFGSM1E durante un período de tiempo prolongado, desconecte el adaptador de CA por precaución, ya que podría quedar cubierto de polvo y dar lugar a sobrecalentamientos o incendios.
- Quite el polvo del adaptador de CA de vez en cuando, para reducir el riesgo de incendios.
- Desconecte el adaptador de CA si nota olor a quemado o cualquier otra anomalía. Si utiliza el TCB-IFGSM1E de forma continuada sin resolver una posible anomalía pueden producirse incendios, descargas eléctricas o averías. Póngase en contacto con el instalador.
- No utilice el TCB-IFGSM1E para usos no relacionados con los aires acondicionados que figuran en este manual.

### **ADVERTENCIAS ACERCA DEL TRANSPORTE Y LA REPARACIÓN**

- No intente transportar ni reparar la unidad TCB-IFGSM1E.
- No desmonte la unidad.
- Póngase en contacto con el distribuidor si necesita trasladar la unidad e instalarla en otro lugar. Una mala instalación puede traducirse en riesgos de descarga eléctrica o incendio.
- Si el sistema no funciona, póngase en contacto con el distribuidor para cualquier reparación o comprobación. Una modificación o una reparación incorrecta podría traducirse en riesgos de descarga eléctrica o incendio.

## 2 Características

El control remoto siguiente se activa mediante el envío de un mensaje de texto (SMS) a través de un teléfono móvil GSM (sistema global de comunicación móvil).

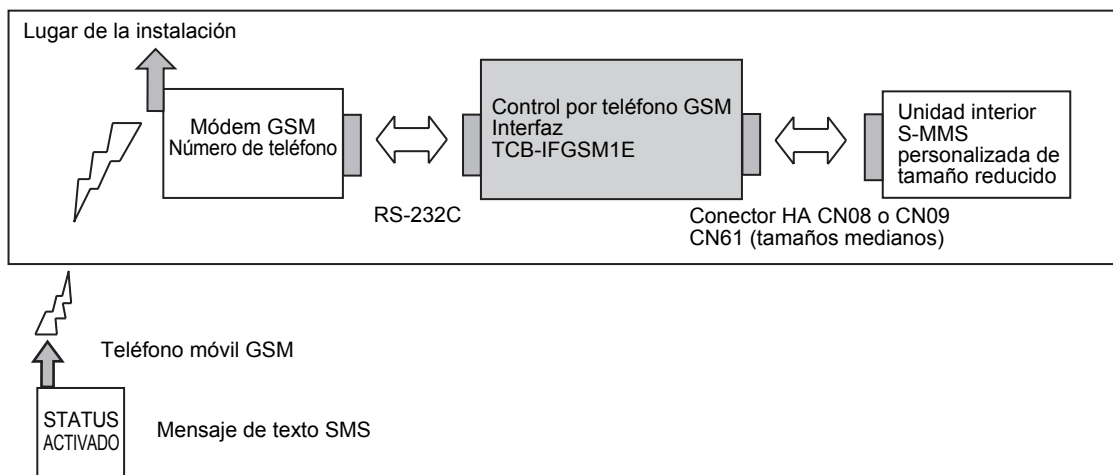
- Control de activación/desactivación del aire acondicionado
- Control de estado de activación/desactivación del aire acondicionado
- Autoenvío de un mensaje SMS de notificación en caso de alarma en el aire acondicionado y control de las alarmas (solo en los modelos S-MMS y DI, SDI)

**Este sistema incorpora la siguiente función de seguridad.**

- El aire acondicionado solo recibe instrucciones del número de teléfono GSM registrado y envía mensajes SMS con información sobre el aire acondicionado solo al número de teléfono GSM registrado.

**Los mensajes compuestos por caracteres alfanuméricos y símbolos solo se envían y reciben mediante mensaje SMS.**

La configuración general del sistema se presenta a continuación.



### 3 Antes de la utilización

- Para utilizar este sistema de control remoto por GSM, debe registrar el teléfono móvil GSM con función de mensajes SMS y el servicio telefónico GSM del módem GSM. La comunicación con el módem GSM supone un coste adicional. Anote el número de teléfono del módem GSM registrado, el PIN y el número PUK en el espacio siguiente y conserve los datos a mano.

Número de teléfono del módem GSM:
PIN:
Número PUK:

#### ADVERTENCIA

Conserve estos números en secreto. Si otra persona está al corriente del número de teléfono del módem GSM o del PIN, podría utilizarlos para suplantarle.

- Este sistema es compatible con los siguientes modelos de aire acondicionado.

DAISEIKAI		RAS-B**GKVP-E
		RAS-B**GKCV-E
		RAS-B10SKVP-E
		RAS-B13SKVP-E
		RAS-B16SKVP-E
		RAS-10SKVP-ND
		RAS-13SKVP-ND
		RAS-16SKVP-ND
		RAS-10SKVR-E
		RAS-13SKVR-E
		RAS-16SKVR-E
		RAS-18SKVR-E
		RAS-22SKVR-E
		RAS-**SKV-E
		RAS-**PKVP-E
		RAS-**PKVP-ND
	RAS-M**PKVP-E	
	RAS-M**PKVP-ND	
Inversor	Pared	RAS-**GKV-E2
Inversor múltiple	Pared	RAS-M**GKV-E2
		RAS-M**GKCV-E2
	Conducto	RAS-M**GDV-E
		RAS-M**GDCV-E
S-MMS, S-HRM, Mini-SMMS, DI, SDI		

- Pregunte al distribuidor o el instalador si el módem GSM, la interfaz de control por teléfono GSM TCB-IFGSM1E y el aire acondicionado se suministran preparados y con las conexiones y las configuraciones iniciales a punto.
- Antes de utilizar el sistema, familiarícese con el proceso de redacción, envío y recepción de mensajes SMS con el teléfono móvil GSM.

## 4 Configuración inicial

- Modifique los ajustes siguientes en el teléfono móvil GSM.
- En el ejemplo siguiente, no es necesario que introduzca los símbolos < y >, sino simplemente el valor que figura entre < y >.
- El número de teléfono indicado en SETPERMIT es el número de teléfono para controlar el aire acondicionado conectado al módem GSM. Introduzca el número de teléfono con el formato <número de teléfono GSM> o <"+ "Código de país" + "Número de teléfono GSM" (sin el primer cero del número de teléfono GSM si empieza con cero)> en transmisiones locales y <"Código de acceso internacional" + "Código de país" + "Número de teléfono GSM" (sin el primer cero del número de teléfono GSM si empieza con cero)>. Para obtener más información, consulte con su proveedor de servicios de telefonía móvil.
- Para responder a las órdenes SETPERMIT, INFOTEL y a las operaciones del aire acondicionado por teléfono móvil, puede enviar mensajes SMS al número de teléfono definido en INFOTEL. Introduzca el número de teléfono con el formato <número de teléfono GSM> o <"+ "Código de país" + "Número de teléfono GSM" (sin el primer cero del número de teléfono GSM si empieza con cero)>. En transmisiones locales, puede que no sea necesario introducir "+" + código de país. Para obtener más información, consulte con su proveedor de servicios de telefonía móvil.
- El campo NAME puede contener hasta 19 caracteres alfanuméricos (sin espacios).

### NOTA

La longitud máxima de un SMS es de 160 caracteres. Tenga este factor en cuenta al configurar por primera vez SETPERMIT, INFOTEL o NAME.

Si su mensaje supera los 160 caracteres, puede dividirlo en varios mensajes SMS.

- (a) Cree un mensaje SMS para indicar el número de teléfono GSM autorizado para el aire acondicionado de destino.

```
SETPERMIT < >
```

Introduzca el número de teléfono GSM en el espacio situado entre los símbolos < y >. El número puede contener espacios.

Es posible introducir hasta cinco números de teléfono GSM insertando un salto de línea al final del mensaje.

```
SETPERMIT < >
SETPERMIT < >
SETPERMIT < >
```

Si dispone de PIN, introdúzcalo en <\*\*\*> antes del <número de teléfono GSM>. El PIN es un código de entre 4 y 8 dígitos. El número puede contener espacios. Introduzca el PIN en todos los números de teléfono GSM.

```
SETPERMIT < *** > < >
SETPERMIT < *** > < >
SETPERMIT < *** > < >
```

- (b) Cree un mensaje SMS para indicar el número de teléfono GSM de notificación. Cree el siguiente mensaje INFOTEL, en el que debe figurar el número de teléfono móvil para controlar el aire acondicionado siguiendo las instrucciones del paso (a).

```
SETPERMIT < >
SETPERMIT < >
INFOTEL < >
```

Introduzca el número de teléfono GSM en INFOTEL, entre los símbolos < y >. El número puede contener espacios.

Es posible introducir hasta cinco números de teléfono GSM insertando un salto de línea al final del mensaje.

```
INFOTEL < >
INFOTEL < >
INFOTEL < >
INFOTEL < >
```

Si dispone de PIN, introdúzcalo en <\*\*\*> antes del <número de teléfono GSM>. El PIN es un código de entre 4 y 8 dígitos y puede contener espacios. Introduzca el PIN en todos los números de teléfono GSM.

```
INFOTEL <***>< >
INFOTEL <***>< >
INFOTEL <***>< >
```

- (c) Introduzca el nombre del aire acondicionado indicado en < > siguiendo las instrucciones del paso (b) y con caracteres alfanuméricos. Este parámetro es necesario para identificar los aires acondicionados con dos sistemas de control remoto por GSM o más, pero debe configurarse aunque solo se utilice un sistema.

```
NAME < >
```

Si dispone de PIN, introdúzcalo en <\*\*\*> antes del <nombre>. El PIN es un código de entre 4 y 8 dígitos y puede contener espacios.

```
NAME <***>< >
```

- (d) Una vez creado el mensaje SMS, envíelo al número de teléfono del módem GSM utilizado en este sistema.

Transcurrido un cierto tiempo, se enviará el mensaje SMS siguiente al número de teléfono GSM indicado en el mensaje SMS para configurar el número de teléfono GSM de destino.

- Mensaje SMS de respuesta para indicar que la configuración inicial se ha realizado correctamente  
Nombre del aire acondicionado en cuestión:  
INITIAL SET OK
- Mensaje SMS de respuesta para indicar que la configuración inicial no se ha realizado correctamente  
Nombre del aire acondicionado en cuestión:  
INITIAL SET NG

Si se recibe un mensaje SMS con el texto "INITIAL SET OK", significa que la configuración inicial ha finalizado.

#### REQUISITOS

Si recibe un mensaje SMS con el texto "INITIAL SET NG", significa que ha enviado un mensaje no válido con caracteres no reconocidos. Compruebe los mensajes enviados y pruebe a enviar mensajes hasta que reciba como respuesta el mensaje SMS con el texto "OK". Si se ha facilitado un PIN, compruebe que el código PIN se haya introducido correctamente.

Si no recibe ningún mensaje SMS de respuesta, es posible que el mensaje SMS enviado no haya llegado al número de teléfono GSM del módem GSM o que el número de teléfono de destino indicado sea incorrecto o bien que se haya producido un problema en el lugar de la instalación o en el módem GSM. Consulte el capítulo 6 (Detección de errores).

Si, pese a todo, sigue sin recibir un mensaje SMS con el texto "INITIAL SET OK", póngase en contacto con el instalador.

# 5 Funcionamiento

- (a) Para utilizar el aire acondicionado, envíe el mensaje SMS siguiente al número de teléfono del módem GSM utilizado en este sistema.

ON

- (b) Para detener el aire acondicionado, envíe el mensaje SMS siguiente al número de teléfono del módem GSM utilizado en este sistema.

OFF

Una vez enviado el mensaje SMS (a) o (b), se recibirá el mensaje SMS siguiente.

- Si el mensaje SMS se envía antes de la configuración inicial  
INITIAL UNCOMPLETED
- Si los caracteres del mensaje SMS enviado son diferentes de los anteriores  
Nombre del aire acondicionado en cuestión:  
CHARACTER SETTING ERROR
- Si el mensaje SMS se ha recibido correctamente  
Nombre del aire acondicionado en cuestión:  
SETTING OK
- Si el mensaje SMS no se ha recibido por un problema en el lugar de la instalación  
Nombre del aire acondicionado en cuestión:  
SETTING NG

- (c) Para controlar el estado de activación/desactivación del aire acondicionado, envíe el mensaje SMS siguiente al número de teléfono del módem GSM utilizado en este sistema.

STATUS

Recibirá el mensaje SMS siguiente.

- Si no se emite ninguna alarma (Durante el funcionamiento)  
Nombre del aire acondicionado en cuestión:  
STATUS ON  
(En parada)  
Nombre del aire acondicionado en cuestión:  
STATUS OFF
- Si se emite una alarma (S-MMS/DI/SDI)  
Nombre del aire acondicionado en cuestión:  
STATUS ON ALARM  
Nombre del aire acondicionado en cuestión:  
STATUS OFF ALARM

- (d) Si se ha emitido una alarma en S-MMS, DI o SDI, se enviará el mensaje SMS siguiente.

Nombre del aire acondicionado en cuestión:  
ALARM

- (e) Eliminación de un número de teléfono GSM registrado

Para eliminar el número de teléfono GSM autorizado registrado, envíe el mensaje siguiente al número de teléfono del módem GSM utilizado en este sistema.

A partir de entonces, las operaciones realizadas desde el número de teléfono GSM eliminado dejarán de tener validez.

DEL SETPERMIT<++++>

**++++: Número de teléfono GSM que va a eliminarse**

Para eliminar el número de teléfono GSM de destino registrado, envíe el mensaje SMS siguiente al número de teléfono del módem GSM utilizado en este sistema.

DEL INFOTEL <++++>

**++++: Número de teléfono GSM que va a eliminarse**

- Si el número de teléfono GSM se ha eliminado correctamente, recibirá el mensaje SMS siguiente.  
Nombre del aire acondicionado en cuestión:  
INITIAL SET OK

- Si se utilizan caracteres incorrectos o el número de teléfono GSM indicado no existe, recibirá el mensaje SMS siguiente.  
Nombre del aire acondicionado en cuestión:  
INITIAL SET NG  
Envíe un mensaje SMS válido.

(f) Solicitud de números de teléfono GSM registrados

Para solicitar los números de teléfono GSM autorizados registrados, envíe el mensaje SMS siguiente al número de teléfono del módem GSM utilizado en este sistema.

```
READ INFOTEL
```

Recibirá el mensaje SMS siguiente del módem GSM.

Nombre del aire acondicionado en cuestión:  
READ INFOTEL  
+++++,\*\*\*\*\*,<<<<<<<<<>>>>>>>>>,+++++  
+++++  
("+++++,"\*\*\*\*\*,"<<<<<<<<<,">>>>>>>>,"  
y "+++++" son los números de teléfono GSM de destino registrados, separados por comas y enviados desde el lugar de la instalación.)

Si no hay ningún número de teléfono GSM registrado, recibirá el mensaje SMS siguiente.  
Nombre del aire acondicionado en cuestión:  
READ INFOTEL NONE

Para solicitar los números de teléfono GSM de destino registrados, envíe el mensaje SMS siguiente al número de teléfono del módem GSM utilizado en este sistema.

```
READ SETPERMIT
```

Recibirá el mensaje SMS siguiente del módem GSM.

Nombre del aire acondicionado en cuestión:  
READ SETPERMIT  
+++++,\*\*\*\*\*,<<<<<<<<>>>>>>>>,+++++  
+++++  
("+++++,"\*\*\*\*\*,"<<<<<<<<,">>>>>>>>,"  
y "+++++" son los números de teléfono GSM autorizados registrados, separados por comas y enviados desde el lugar de la instalación.)

(g) Eliminación de un número PIN

Si ya no necesita un número PIN porque el contenido registrado en la tarjeta SIM ha cambiado, envíe el mensaje SMS siguiente al número de teléfono del módem GSM utilizado en este sistema.

\*\*\* es el PIN que va a eliminarse.

```
DEL PIN <***>
```

# 6 Resolución de problemas

## ADVERTENCIA

- Desconecte el adaptador de CA si nota olor a quemado o cualquier otra anomalía. Si utiliza el TCB-IFGSM1E de forma continuada sin resolver una posible anomalía pueden producirse incendios, descargas eléctricas o averías. Póngase en contacto con el distribuidor o el instalador.

Realice las comprobaciones siguientes al enviar y recibir mensajes SMS.

- Si recibe un mensaje SMS con el texto "INITIAL SET NG" (tras enviar el mensaje SMS de configuración inicial) o con el texto "CHARACTER SETTING ERROR" (durante el funcionamiento normal), significa que se ha enviado un mensaje con caracteres no reconocidos. Compruebe el contenido del mensaje y trate de enviar un mensaje hasta que reciba como respuesta un mensaje SMS con el texto "OK".  
<Por ejemplo>
  - Si INFOTEL, SETPERMIT, NAME, ON, OFF, DEL o READ contienen algún error o están escritos en minúscula.
  - Si el campo NAME supera los 19 caracteres o contiene espacios o caracteres no alfanuméricos.
  - Si el número de teléfono GSM registrado contiene caracteres diferentes de "+" y de números.
- Si no recibe ningún mensaje SMS de respuesta, compruebe el número de teléfono GSM del módem GSM de destino, el número de teléfono GSM de destino y el número de teléfono autorizado del mensaje SMS enviado.

<Por ejemplo>

A continuación se presentan ejemplos de situaciones con el número de teléfono GSM "XXXXXXXXXX".

Ejemplos de registro de números:

Ejemplo1: XXXXXXXXXXXX

Ejemplo2: "+" + "Código de país" + "XXXXXXXXXX" o

Ejemplo3: "Código de acceso internacional" + "Código de país" + "XXXXXXXXXX".

(En los ejemplos 2 y 3, sin el primer cero del número de teléfono GSM si empieza con cero).

- Situación1) Si el PIN registrado y el número introducido no coinciden.  
Si el PIN registrado es "1111" y el número introducido es "1112<XXXXXXXXXX>", TCB-IFGSM1E no responderá al teléfono GSM.
- Situación2) Si TCB-IFGSM1E está en Australia y se envía un SMS desde un teléfono GSM de Australia, si el número SETPERMIT no está registrado como el ejemplo1: XXXXXXXXXXXX o el ejemplo2: +61XXXXXXXXXX (61 es el código de país de Australia), TCB-IFGSM1E no responderá al teléfono GSM.
- Situación3) Si se envía un SMS desde un teléfono GSM de Nueva Zelanda, si el número SETPERMIT no está registrado como el ejemplo3: 0064XXXXXXXXXX ("00" es el código de acceso internacional de Nueva Zelanda y "64" el código de país de Nueva Zelanda), TCB-IFGSM1E no responderá al teléfono GSM.
- Situación4) Los números de teléfono GSM registrados por INFOTEL no corresponden ni al ejemplo 1 ni al ejemplo 2.

Si el problema persiste, puede que se deba a alguna de las causas siguientes. Póngase en contacto con el distribuidor o el instalador.

- Si no recibe ningún mensaje SMS en respuesta al mensaje SMS de configuración inicial o al mensaje SMS de estado, es posible que el mensaje SMS enviado no haya llegado al número de teléfono del módem GSM o que el lugar de la instalación presente un problema, como por ejemplo un corte de suministro.
- Si recibe un mensaje SMS con el texto "SETTING NG", significa que se ha producido algún problema en el lugar de la instalación.



# 7 Especificaciones

Plataforma utilizada		Sistema Global para las Comunicaciones Móviles (sistema de comunicación de teléfonos móviles digitales de segunda generación)
Funcionamiento	Control del aire acondicionado	El control de activación/desactivación del aire acondicionado se realiza a través de mensajes SMS.
	Información de estado del aire acondicionado	La información de activación, desactivación y alarma del aire acondicionado se transmite por mensaje SMS. (La notificación automática solo funciona si se utiliza CN61.)
	Número de teléfono GSM de destino de funcionamiento/notificación	Pueden registrarse hasta cinco números.
	Número de teléfono GSM de acceso	Pueden registrarse hasta cinco números.
Hardware del TCB-IFGSM1E	Alimentación	7-19 VCC No se necesita ninguna fuente de alimentación externa si se utiliza S-MMS, DI o SDI.
	Consumo energético	1,1 W a 19 V
	Conector RS-232C	Acepta las especificaciones de comunicación (9.600 bps, sin paridad, 8 bits, 1 bit de parada, con o sin control de flujo) Conector D-sub macho de 9 patillas Protocolo: compatible con las órdenes AT estándar ETSI GSM 07.05, GSM 07.07, GSM 03.40, GSM 03.38 relacionadas con SMS.
	Conector CN3/CN4 (conexión al aire acondicionado)	Especificación de conector HA de optoacoplador, entrada de 12 V CC, entrada de alarma Conector de 4 clavijas o 6 clavijas
	Temperatura de funcionamiento/humedad	De 0 a 40°C, del 20% al 85% de humedad relativa
	Temperatura de almacenamiento	De -10 a 60°C
	Material del armazón	Plástico (resina de ABS no inflamable UL-94V0)
	Dimensiones	32 (Al) × 80 (An) × 125 (Pr) mm
	Peso	150 g

感谢您购买东芝 TCB-IFGSM1E。  
使用 TCB-IFGSM1E 前，请仔细阅读本用户手册。  
阅读本手册后，请将其妥善保管以备将来参考。

## 目录

---

1 安全预防措施 .....	43
2 功能 .....	44
3 使用前 .....	45
4 初始设定 .....	46
5 常规操作 .....	48
6 故障排除 .....	50
7 规格 .....	51

# 1 安全预防措施

## 危险

- 请勿试图自行安装本系统。本系统需要合格的安装人员安装。
- 请勿试图维修 TCB-IFGSM1E。本装置应由专业人员进行维修。
- 打开或拆下 TCB-IFGSM1E 盖板会导致触电。
- 关闭电源并不能防止潜在触电危险。

## 警告

### 有关安装的警告

- 务必请专业从事电气工程的经销商或商店安装本系统。
- 如果本系统安装不当，可能会导致触电和火灾等问题。

### 有关操作的警告

- 请勿将水或其他液体泼溅到 TCB-IFGSM1E 上。如果弄湿本装置，可能会导致触电。
- 请勿更换、损坏或改装已安装的交流电源适配器。否则可能会导致火灾、触电或故障。
- 请保持交流电源适配器无灰尘。如果插头未正确插入，请牢固插到底。如果连接不当，积聚的灰尘可能会导致触电或火灾。
- 为安全起见，长期不使用 TCB-IFGSM1E 时，请拔下交流电源适配器的插头。交流电源适配器可能会被灰尘覆盖，这样会导致过热或火灾。
- 请不定期除去交流电源适配器上的灰尘。否则可能会造成火灾。
- 如果闻到焦味或出现其他任何异常情况，请拔下交流电源适配器的插头。在异常情况下继续使用 TCB-IFGSM1E 可能会导致火灾、触电或故障。请联络安装人员。
- 除本手册中指定的空调外，请勿将 TCB-IFGSM1E 作他用。

### 有关移动和维修的警告

- 请勿试图移动或维修 TCB-IFGSM1E 装置。
- 请勿拆解本装置。
- 若要将本装置重新安装于他处，务必请经销商移动本装置。安装不当可能会导致触电或火灾。
- 只要本系统不工作，即请经销商维修或检查。如果本系统维修或修正不当，可能会导致触电或火灾。

# 2 功能

可以通过从您的 **GSM**（全球移动通讯系统）手机发送短消息服务（**SMS**）来启用以下远程控制。

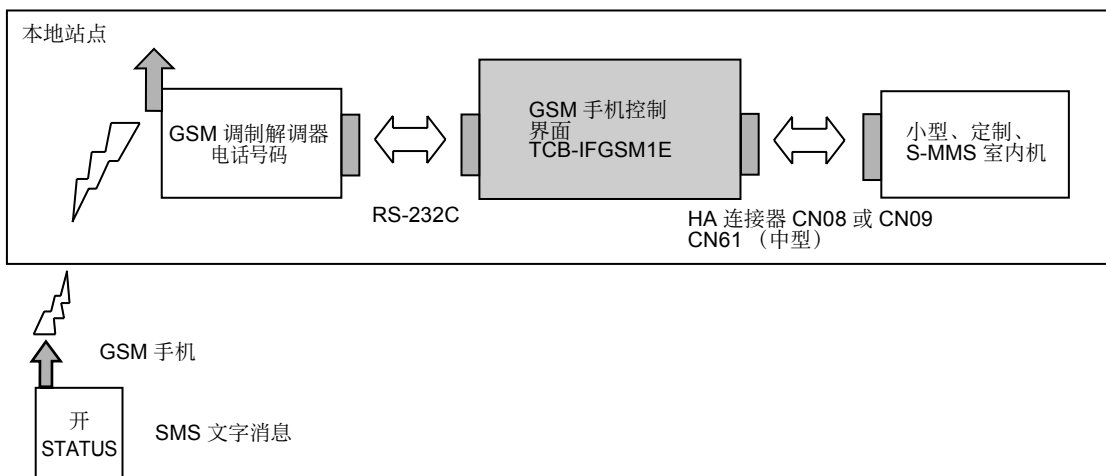
- 空调开 / 关控制
- 空调开 / 关状态监控
- 空调报警情况下自动发送 **SMS** 通知消息和警报监控。  
(仅限 S-MMS、DI 和 SDI 型号)

本系统配有以下安全功能。

- 空调仅从已注册的 **GSM** 电话号码接收命令，并仅向已注册的 **GSM** 电话电话号码发送空调信息 **SMS** 消息。

通过 **SMS** 消息发送和接收由字母数字字符和符号组成的消息。

总体系统配置如下所示。



# 3 使用前

- 若要使用本GSM远程监控系统，您必须订购配有SMS消息功能的GSM手机和GSM调制解调器的GSM电话服务。与GSM调制解调器的通讯费用另付。如下写出订购的GSM调制解调器电话号码、PIN和PUK号码，并妥善保存。

GSM 调制解调器电话号码:
PIN:
PUK 号码:



**警告**

请对这些号码保密。如果GSM调制解调器电话号码和/或PIN被第三方获悉，他/她可能会假冒身份恶意操作空调。

- 本系统适用以下空调型号。

DAISEIKAI		RAS-B**GKVP-E
		RAS-B**GKCV-P-E
		RAS-B10SKVP-E
		RAS-B13SKVP-E
		RAS-B16SKVP-E
		RAS-10SKVP-ND
		RAS-13SKVP-ND
		RAS-16SKVP-ND
		RAS-10SKVR-E
		RAS-13SKVR-E
		RAS-16SKVR-E
		RAS-18SKVR-E
		RAS-22SKVR-E
		RAS-**SKV-E
		RAS-**PKVP-E
		RAS-**PKVP-ND
	RAS-M**PKVP-E	
	RAS-M**PKVP-ND	
变频式	壁挂式	RAS-**GKV-E2
变频多联	壁挂式	RAS-M**GKV-E2
		RAS-M**GKCV-E2
	管道式	RAS-M**GDV-E
		RAS-M**GDCV-E
S-MMS、S-HRM、Mini-SMMS、DI、SDI		

- 询问经销商或安装人员GSM调制解调器、GSM手机控制界面TCB-IFGSM1E和目标空调是否通电，并且其连接和初始设定是否已完成。
- 预先熟悉如何使用GSM手机创建、发送和接收SMS消息。

# 4 初始设定

- 在您的 GSM 手机上进行以下设定。
- 在下例中，您无需输入 < 和 > 符号。只需输入 < 和 > 内的数值。
- SETPERMIT 中指定的电话号码是控制与 GSM 调制解调器连接的空调的电话号码。按照 <GSM 电话号码> 或 < “+” + “国家代码” + “GSM 电话号码” (如果 GSM 电话号码以 0 开头，则省略第一个 0) > (国内传输) 或 < “国际接入码” + “国家代码” + “GSM 电话号码” (如果 GSM 电话号码以 0 开头，则省略第一个 0) > (国际传输) 输入电话号码。详细信息，请询问移动网络运营商。
- 它通过向 INFOTEL 中指定的电话号码发送 SMS 消息，从手机回复 SETPERMIT、INFOTEL 命令和对空调的操作。按照 <GSM 电话号码> 或 < “+” + “国家代码” + “GSM 电话号码” (如果 GSM 电话号码以 0 开头，则省略第一个 0) > 输入电话号码。对于本地传输可能不需要 “+” + 国家代码。详细信息，请询问手机网络运营商。
- NAME 最多为由英文字母和阿拉伯数字组成的 19 个字符 (不包括空格)。

## 注

SMS 最长为 160 个字符。第一次设定 SETPERMIT、INFOTEL 或 NAME 时请注意。当消息长度超过 160 个字符时，请将其分为多个 SMS 发送。

- (a) 创建 SMS 消息以设定目标空调的设定许可 GSM 电话号码。

```
SETPERMIT<>
```

在 < > 中输入 GSM 电话号码。可包括空格符。

通过在以上消息结尾插入新行最多可输入 5 个 GSM 电话号码。

```
SETPERMIT<>
SETPERMIT< >
SETPERMIT< >
```

提供 PIN 时，务必在 <GSM 电话号码> 之前将其输入 <\*\*\*>。PIN 为 4 位至 8 位代码。可包括空格符。务必输入所有 GSM 电话号码的 PIN。

```
SETPERMIT<***><>
SETPERMIT<***><>
SETPERMIT<***><>
```

- (b) 创建 SMS 消息以设定要通知的目的地 GSM 电话号码。在 (a) 之后，创建以下包含手机号码的 INFOTEL 消息以控制空调。

```

SETPERMIT< >
SETPERMIT<>
INFOTEL < >

```

在 INFOTEL < > 中输入 GSM 电话号码。可包括空格符。  
通过在以上消息结尾插入新行最多可输入 5 个 GSM 电话号码。

```

INFOTEL < >
INFOTEL < >
INFOTEL < >
INFOTEL < >

```

提供 PIN 时，务必在 <GSM 电话号码> 之前将其输入 <\*\*\*>。PIN 为 4 位至 8 位代码。可包括空格符。务必输入所有 GSM 电话号码的 PIN。

```

INFOTEL <***><>
INFOTEL <***><>
INFOTEL <***><>

```

- (c) 在 (b) 之后，在 <> 中输入指定空调的名称。名称使用字母数字字符。当有两个或更多 GSM 远程监控系统时，此设定对于识别空调是必需的。即使只使用一个系统，也请进行此设定。

```

NAME < >

```

提供 PIN 时，务必在 <名称> 之前将其输入 <\*\*\*>。PIN 为 4 位至 8 位代码。可包括空格符。

```

NAME <***><>

```

- (d) 创建这些 SMS 消息后，请将其发送到本系统使用的 GSM 调制解调器电话号码。

片刻后，以下 SMS 消息被发送到 SMS 中设定的 GSM 电话号码以设定目的地 GSM 电话号码。

- 响应 SMS 消息以表示初始设定成功  
所指定空调的名称：  
INITIAL SET OK
- 响应 SMS 消息以表示初始设定未成功  
所指定空调的名称：  
INITIAL SET NG

当接收到包含“INITIAL SET OK”的 SMS 消息时，初始设定完成。

#### 要求

如果接收到包含“INITIAL SET NG”的 SMS 消息时，则表示发送了包含未定义字符的无效消息。检查发送的消息，并尝试发送消息直至接收到“OK”响应 SMS 消息。提供 PIN 时，请检查是否输入了正确的 PIN 代码。

如果未接收到响应 SMS 消息，传输的 SMS 消息可能未到达 GSM 调制解调器电话号码，或目的地电话号码设定可能不正确，或本地站点（包括 GSM 调制解调器）可能发生问题。请参阅第 6 章故障排除。

但是，如果仍未接收到包含“INITIAL SET OK”的 SMS 消息，请联络安装人员。

# 5 常规操作

- (a) 若要操作空调，请将以下 SMS 消息发送到本系统使用的 GSM 调制解调器电话号码。

ON

- (b) 若要停止空调，请将以下 SMS 消息发送到本系统使用的 GSM 调制解调器电话号码。

OFF

发送 (a) 或 (b) SMS 消息后，会返回以下 SMS 消息。

- 当此 SMS 消息在初始设定前发送时  
INITIAL UNCOMPLETED
- 当所发送 SMS 消息中的字符与上述内容不同时  
所指定空调的名称：  
CHARACTER SETTING ERROR
- 当成功接收到 SMS 消息时  
所指定空调的名称：  
SETTING OK
- 当由于本地站点的问题而未接收到 SMS 消息时  
所指定空调的名称：  
SETTING NG

- (c) 若要监控空调开 / 关状态，请将以下 SMS 消息发送到本系统使用的 GSM 调制解调器电话号码。

STATUS

将返回以下 SMS 消息。

- 无警报时  
(操作过程中)  
所指定空调的名称：  
STATUS ON  
(操作停止过程中)  
所指定空调的名称：  
STATUS OFF
- 有警报时 (S-MMS/DI/SDI)  
所指定空调的名称：  
STATUS ON ALARM  
所指定空调的名称：  
STATUS OFF ALARM

- (d) 当 S-MMS、DI 或 SDI 中发生警报时，会发送以下 SMS 消息。

所指定空调的名称：ALARM

- (e) 删除已注册的 GSM 电话号码

若要删除已注册的设定许可 GSM 电话号码，请将以下消息发送到本系统使用的 GSM 调制解调器电话号码。

任何从此处删除的 GSM 电话号码进行的操作均无效。

DEL SETPERMIT<++++>

++++: 要删除的 GSM 电话号码

若要删除已注册的目的地 GSM 电话号码，请将以下 SMS 消息发送到本系统使用的 GSM 调制解调器电话号码。

DEL INFOTEL <++++>

++++: 要删除的 GSM 电话号码

- 当正确删除 GSM 电话号码时，会返回以下 SMS 消息。

所指定空调的名称：  
INITIAL SET OK



- 如果使用了错误字符或指定的 GSM 电话号码不存在，将返回以下 SMS 消息。  
所指定空调的名称：  
INITIAL SET NG  
请发送正确的 SMS 消息。

- (f) 询问已注册的 GSM 电话号码  
若要询问已注册的设定许可 GSM 电话号码，请将以下 SMS 消息发送到本系统使用的 GSM 调制解调器电话号码。

READ INFOTEL

将从 GSM 调制解调器返回以下 SMS 消息。  
所指定空调的名称：READ INFOTEL  
+++++, \*\*\*\*\* , <<<<<<<<<< , >>>>>>>>> ,  
+++++  
(“+++++”、“\*\*\*\*\*”、“<<<<<<<<<<”、“>>>>>>>>>”和“+++++”是已注册的目的地 GSM 电话号码，由逗号分隔并从本地站点发送。)

如果未注册 GSM 电话号码，则会返回以下 SMS 消息。  
所指定空调的名称：READ INFOTEL NONE

若要询问已注册的目的地 GSM 电话号码，请将以下 SMS 消息发送到本系统使用的 GSM 调制解调器电话号码。

READ SETPERMIT

将从 GSM 调制解调器返回以下 SMS 消息。  
所指定空调的名称：READ SETPERMIT  
+++++, \*\*\*\*\* , <<<<<<<<<< , >>>>>>>>> ,  
+++++  
(“+++++”、“\*\*\*\*\*”、“<<<<<<<<<<”、“>>>>>>>>>”和“+++++”是已注册的设定许可 GSM 电话号码，由逗号分隔并从本地站点发送。)

- (g) 删除 PIN 号码  
当因 SIM 卡的注册内容已变更而不再需要已注册的 PIN 号码时，请将以下 SMS 消息发送到本系统使用的 GSM 调制解调器电话号码。  
\*\*\* 为要删除的 PIN。

DEL PIN <\*\*\*>

# 6 故障排除



**警告**

- 如果闻到焦味或出现其他任何异常情况，请拔下交流电源适配器的插头。在异常情况下继续使用 TCB-IFGSM1E 可能会导致火灾、触电或故障。请联络经销商或安装人员。

有关发送和接收 SMS 消息，请参阅以下内容。

- 当接收到包含“INITIAL SET NG”（发送初始设定 SMS 消息后）或“CHARACTER SETTING ERROR”（常规操作过程中）的 SMS 消息时，表示发送了包含未定义字符的消息。重新检查消息内容，并尝试发送消息直至接收到“OK”响应 SMS 消息。  
< 例如 >
  - 当 INFOTEL、SETPERMIT、NAME、ON、OFF、DEL 或 READ 拼错或以小写字母输入时。
  - 当注册的 NAME 超过 19 个字符，或包含空格或其他非英文字母和阿拉伯数字的字符时。
  - 当注册的 GSM 电话号码包含非“+”和阿拉伯数字的字符时。
- 无响应 SMS 消息返回时，请检查所发送 SMS 消息的目的地 GSM 调制解调器电话号码、已设定的目的地 GSM 电话号码和已设定许可电话号码。  
< 例如 >
 

当 GSM 电话号码为“XXXXXXXXXX”时的原因举例如下。

号码注册模式：

模式 1: XXXXXXXXXXXX

模式 2: “+” + “国家代码” + “XXXXXXXXXX”，或

模式 3: “国际接入码” + “国家代码” + “XXXXXXXXXX”。

（在模式 2 和 3 中，如果 GSM 电话号码以 0 开头，则省略第一个 0）。

  - 原因 1) 当注册的 PIN 码和发送号码不匹配时。  
当注册的 PIN 码为“1111”且发送号码为“1112<XXXXXXXXXX>”时，TCB-IFGSM1E 将不回复 GSM 手机。
  - 原因 2) 当 TCB-IFGSM1E 在澳大利亚，且在澳大利亚内从 GSM 手机发送 SMS 时，如果 SETPERMIT 号码未注册为模式 1: XXXXXXXXXXXX 或模式 2: +61XXXXXXXXXX（61 为澳大利亚国家代码），TCB-IFGSM1E 将不回复 GSM 手机。
  - 原因 3) 当在新西兰内从 GSM 手机发送 SMS 时，如果 SETPERMIT 号码未注册为模式 3: 0064XXXXXXXXXX（“00”为新西兰的国际接入码，“64”为新西兰的国家代码），TCB-IFGSM1E 将不回复 GSM 手机。
  - 原因 4) 通过 INFOTEL 设定的已注册 GSM 电话号码既不是模式 1，也不是模式 2。

如果问题仍然存在，则可能由以下原因所致。请联络经销商或安装人员。

- 对相关初始设定 SMS 消息或状态 SMS 消息无 SMS 消息返回时，传输的 SMS 消息可能未到达 GSM 调制解调器电话号码或本地站点可能出现问题（包括断电）。
- 当接收到包含“SETTING NG”的 SMS 消息时，本地站点发生问题。

# 7 规格

所用媒体		全球移动通讯系统（2G 数字移动电话通讯系统）
操作	空调控制项目	空调开 / 关控制由手机 SMS 消息指定。
	空调状态获取项目	空调开、关和警报状态由手机 SMS 消息通知。（仅当使用 CN61 时才提供自动通知功能。）
	操作 / 通知目标 GSM 电话号码	最多可注册 5 个初始号码。
	可拨打 GSM 电话号码	最多可注册 5 个初始号码。
TCB-IFGSM1E 硬件	电源	7-19 VDC 使用 S-MMS、DI 或 SDI 时，无需外接电源。
	功耗	19V 输入时为 1.1 W
	RS-232C 连接器	支持通讯规格（9600 bps，非奇偶校验，8 位，1 停止位，提供流量控制 / 无） D-sub 9 针插入式连接器 协议：支持 ETSI GSM 07.05、GSM 07.07、GSM 03.40、GSM 03.38 符合 SMS 相关的标准 AT 命令。
	CN3/CN4 连接器（连接到空调）	光电耦合器 HA 连接器规格，12 VDC 电源输入，警报输入 4 针 / 6 针连接器
	操作温度 / 湿度	0 至 40°C，20 至 85% RH
	存放温度	-10 至 60°C
	外壳材料	塑料（不可燃 ABS 树脂 UL-94V0）
	尺寸	32（高）× 80（宽）× 125（长）mm
	质量	150 g

