

# TOSHIBA INSTALLATION MANUAL

## AIR CONDITIONER

### Long life filter Kit

Model: TCB-LK801D-E , TCB-LK1401D-E

Thank you for purchasing the Long life filter Kit for TOSHIBA air conditioner. Before starting the installation work, please read this manual carefully and install the product properly.

## PRECAUTIONS FOR SAFETY

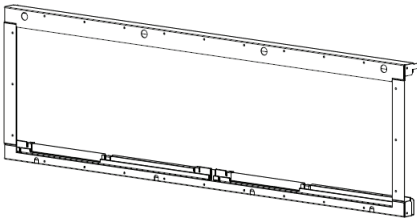
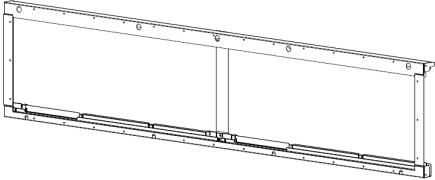
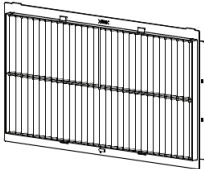
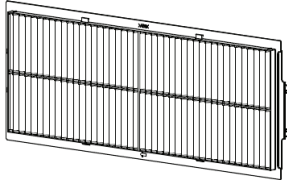






Please read "PRECAUTIONS FOR SAFETY" described in the Installation and Owner's Manual of indoor unit and outdoor unit and install the product properly.

### 1. Adaptation model

Model name	Adaptation model
TCB-LK801D-E	MMD-AP018*H* MMD-AP024*H* MMD-AP027*H*
TCB-LK1401D-E	MMD-AP036*H* MMD-AP048*H* MMD-AP056*H*

### 2. Accessories

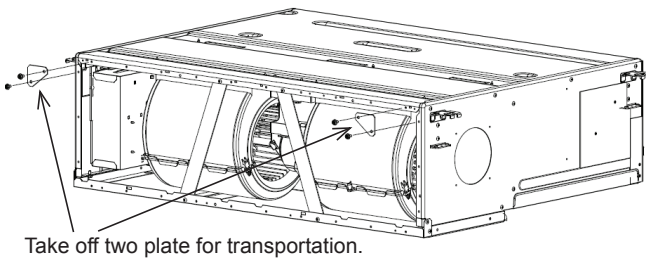
Below parts are included.

Parts name	Model: TCB-LK801D-E		Model: TCB-LK1401D-E	
	Form	Quantity	Form	Quantity
(1) Flange		1		1
(2) Filter		2		2
(3) Cover		2		2
(4) Screw	M4 × 8L 	8	M4 × 8L 	8
(5) Screw	M5 × 8L 	4	M5 × 8L 	4
(6) Installation manual	This manual	1	This manual	1

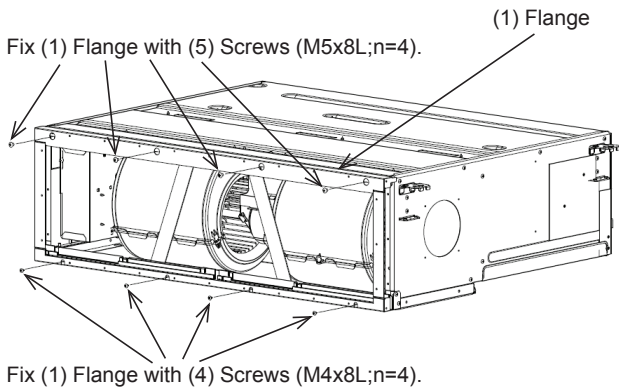
### 3. How to install

Install (1) Flange, (2) Filter, (3) Cover in indoor unit.

1. Before installation.

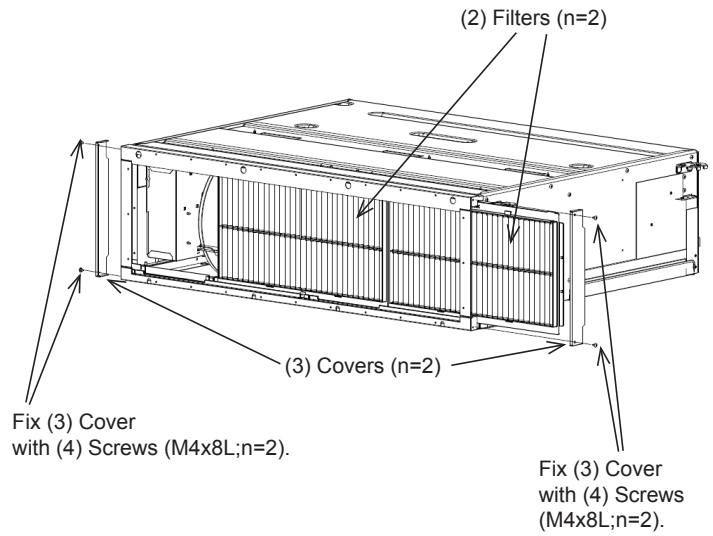


2. Install (1) Flange in indoor unit.



- The flange gets one having black mold parts (filter rail) in the lower direction at the time of the installation of indoor unit.

3. Install (2) Filter and (3) Cover in (1) Flange .



- Please confirm that two pieces of filters are connected .
- Please attach the cover with both side.

#### NOTE

- When you use too long screws at attach a suction duct (locally procured), you can not remove the filters by attack the screws.
- After installation completion, please confirm the putting on and taking off of the filter by all means.

### 4. External Pressure Loss Characteristic

When you use these "Long life filter Kit", pressure-loss characteristics depends on Air Flow.

Long life filter Kit, Pressure Loss Characteristics

